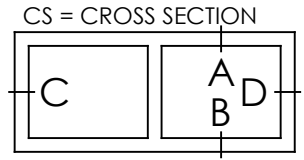
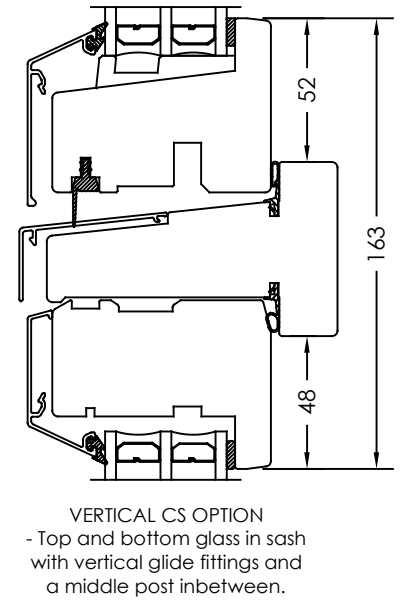
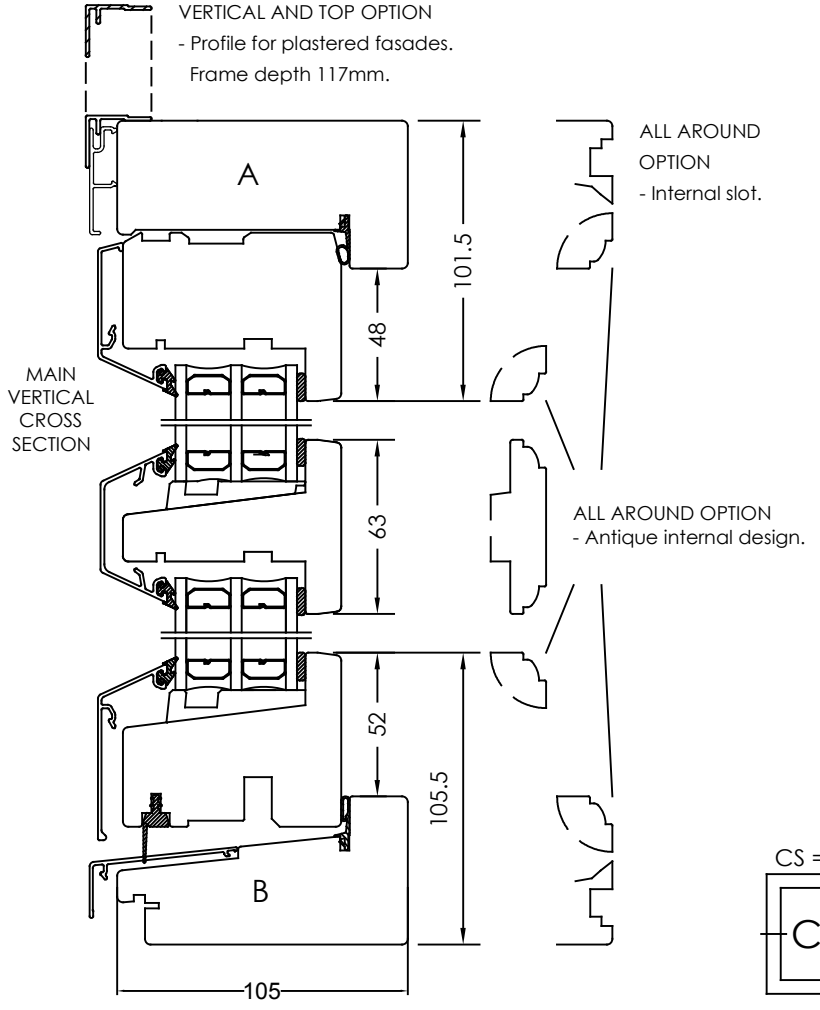
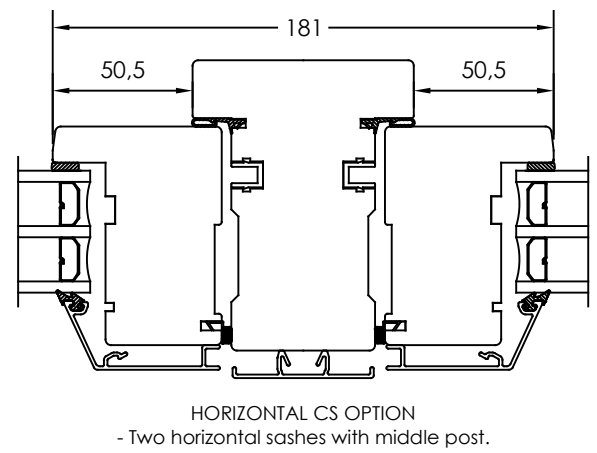
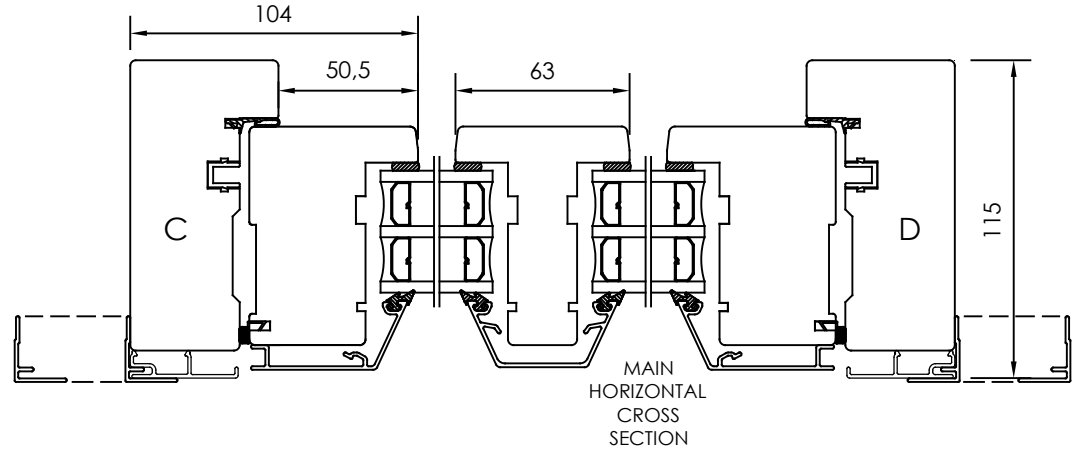


Rev	Description	Rev. by	Date
B	Rättat felaktig placering av smygspår.	SH	2017-04-21



Designed by JB	Designed date 2015-08-26	Product Category Window Outward	Processing Code
Approved by SH	Approved date 2017-05-24	Product Type Top Swing	Material
		Vrid 3-glas, alu Top Swing 3-glass, alu	Tolerances unless otherwise specified
		Article Number	View orientation
Drawing Number 61-37-V201		Revision B	Scale

We reserve all rights in this document and in the information contained therein. Reproduction, use or disclosure to third parties without express authority is strictly forbidden. INWIDO