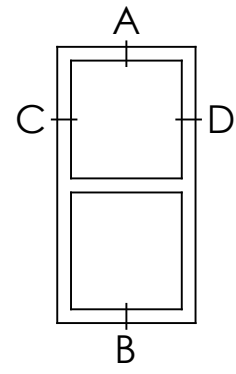
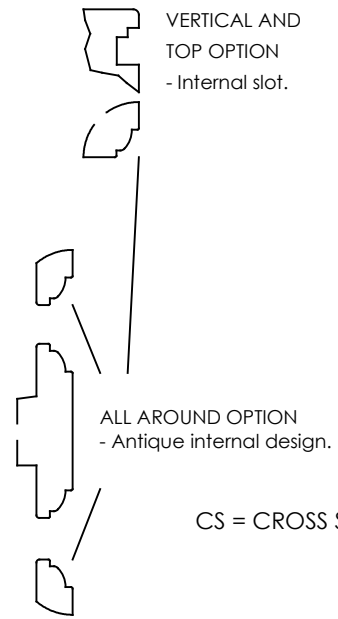
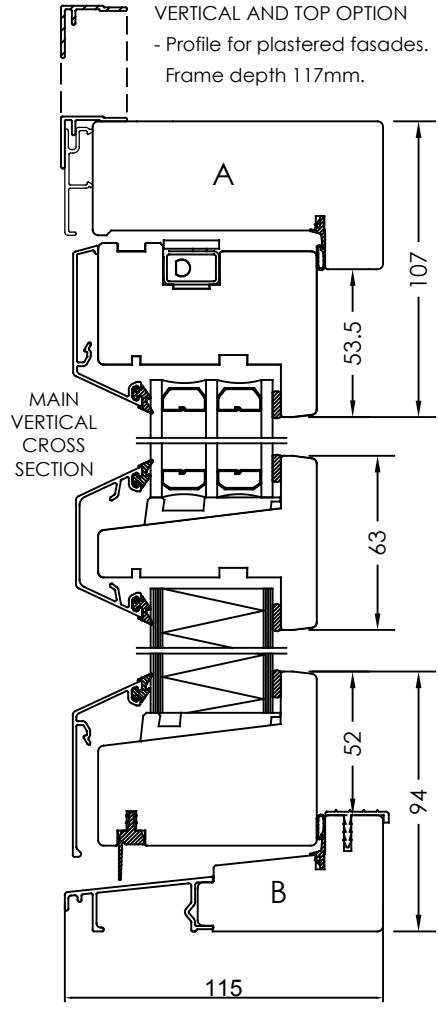
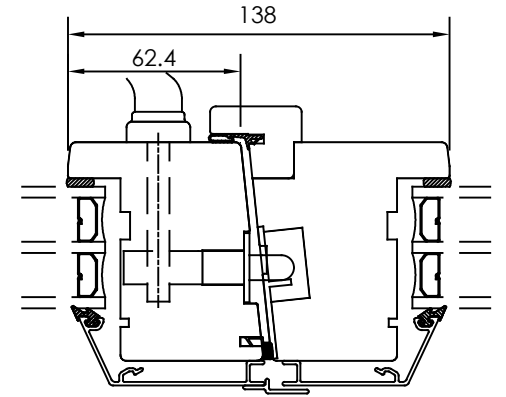
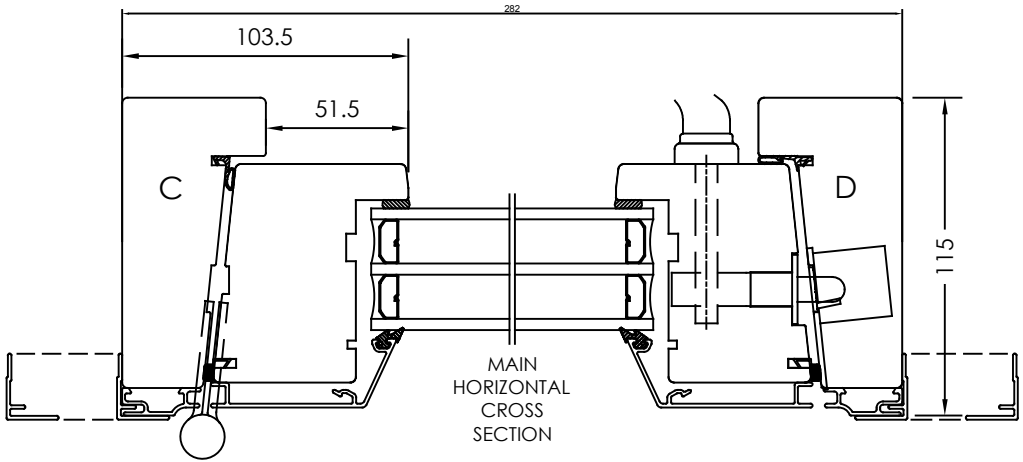
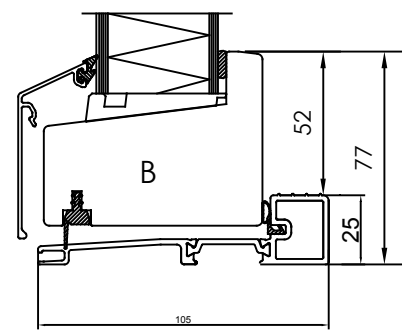


Rev	Description	Rev. by	Date
B	Bytt alu hcp tröskel, bytt alu karmsida, flyttad handtagsplacering för dorndjup 33	SH	2017-03-15



VERTICAL CS OPTION  
- Low handicap threshold.



CS = CROSS SECTION

Designed by	Designed date	Product Category	Processing Code
JB	2015-08-27	Window Outward	
Approved by	Approved date	Product Type	Material
JB	2017-05-09	Side Hung	
		Dörr	Tolerances unless otherwise specified
		3-glas, Alu	View orientation
		Door	Article Number
		3-glass, Alu	Scale
			Drawing Number
			Revision
			61-37-D201
			B

We reserve all rights in this document and in the information contained therein. Reproduction, use or disclosure to third parties without express authority is strictly forbidden. INWIDO