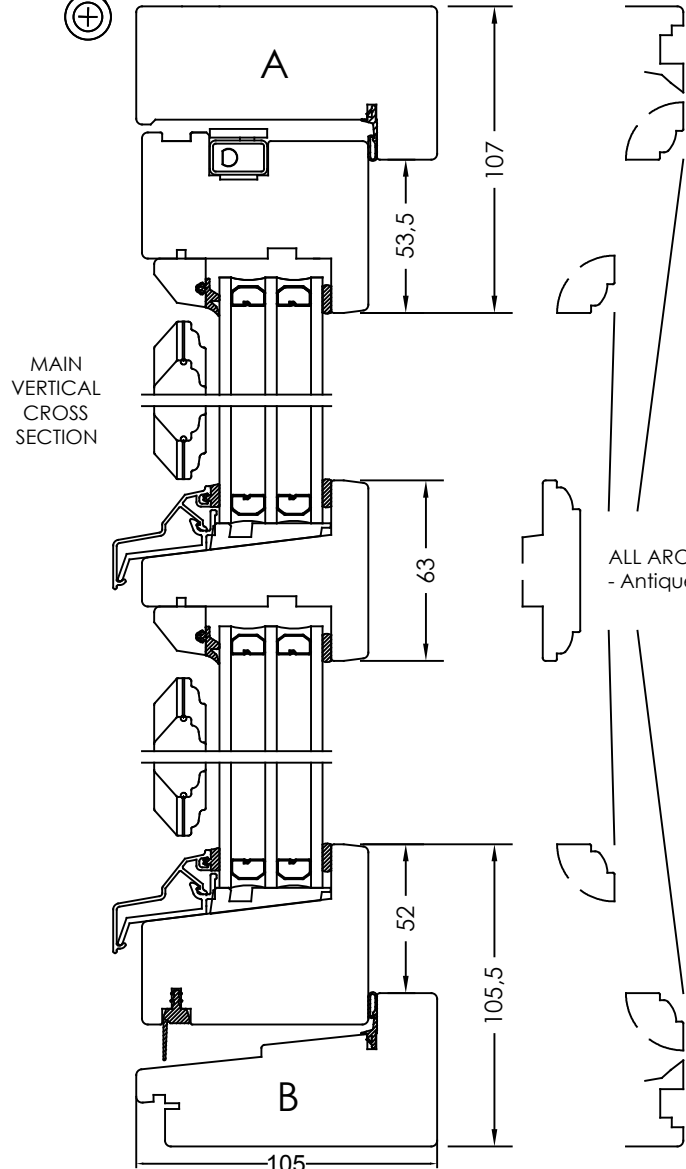
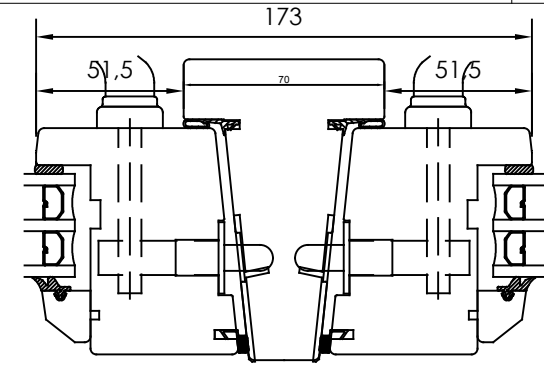
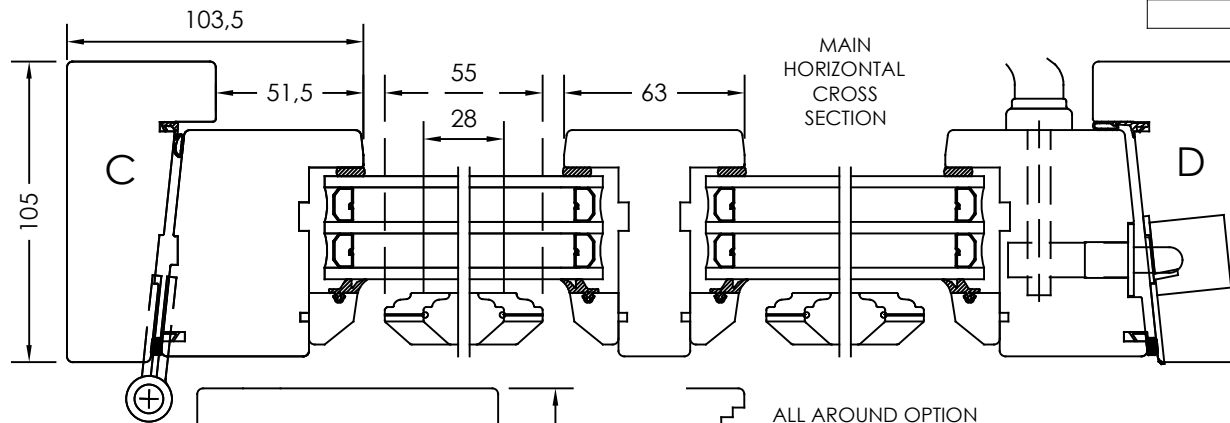
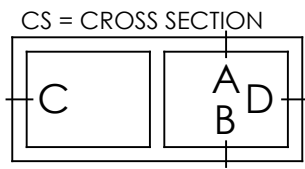
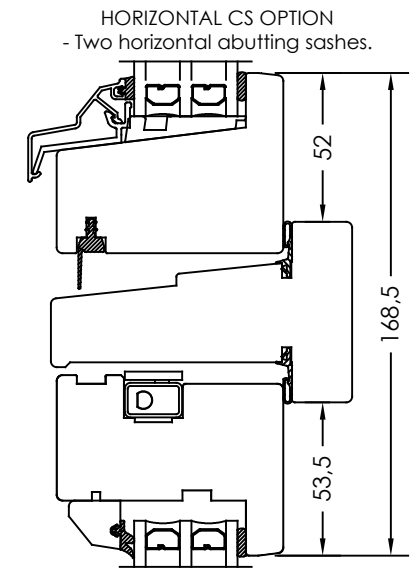
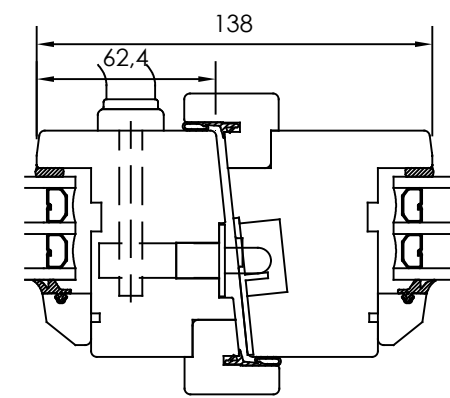


Rev	Description	Rev. by	Date
-----	-------------	---------	------



ALL AROUND OPTION
- Internal slot.

ALL AROUND OPTION
- Antique internal design.



Designed by SH	Designed date 2019-05-14	Product Category Window Outward	Processing Code	
Approved by	Approved date	Product Type Side Hung	Material	
		Sidhängt 3-glas, glaslist 1	Tolerances unless otherwise specified ISO 2768-1 m	View orientation
		Sidehung 3-glass, glazing bead 1	Article Number	Scale 1:1
		Drawing Number 61-37-S001 E	Revision (A)	