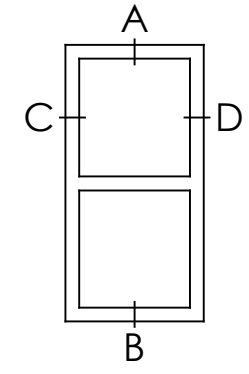
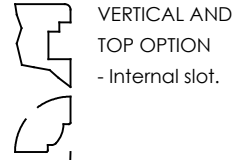
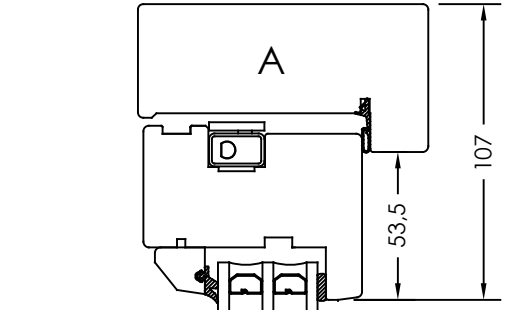
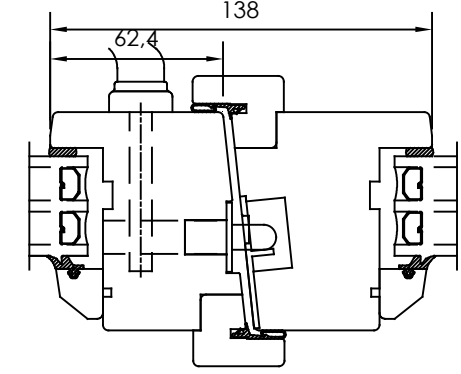
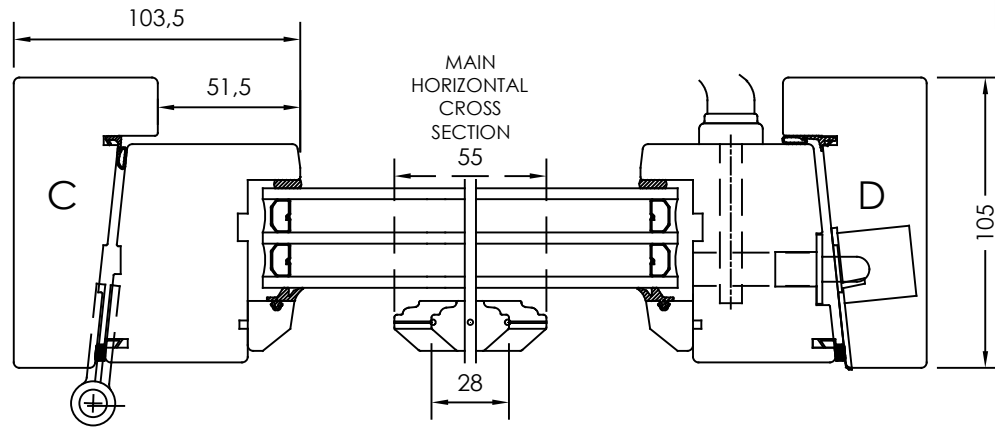
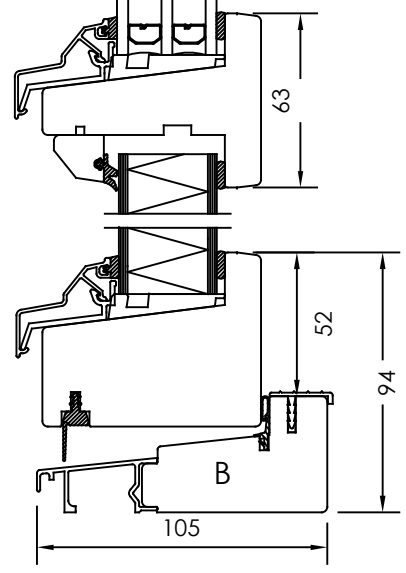
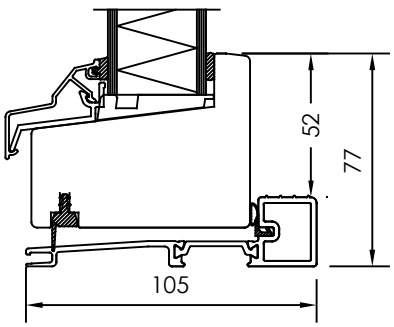


Rev	Description	Rev. by	Date
B	Flyttad handtagsplacering för dorndjup 33mm. Rättat felaktig placering, smygspår.	SH	2017-05-30



VERTICAL CS OPTION
- Low handicap threshold.



Designed by	Designed date	Product Category	Processing Code
SH	2016-02-05	Window Outward	
Approved by	Approved date	Product Type	Material
SH	2017-06-09	Side Hung	
	Dörr		Tolerances unless otherwise specified
	3 glas, glaslist 1		ISO 2768-1 m
	Door		Article Number
3-glass, glazing bead 1		View orientation	Scale
			1:1
		Drawing Number	Revision
		61-37-D001	B

We reserve all rights in this document and in the information contained therein. Reproduction, use or disclosure to third parties without express authority is strictly forbidden. INWIDO