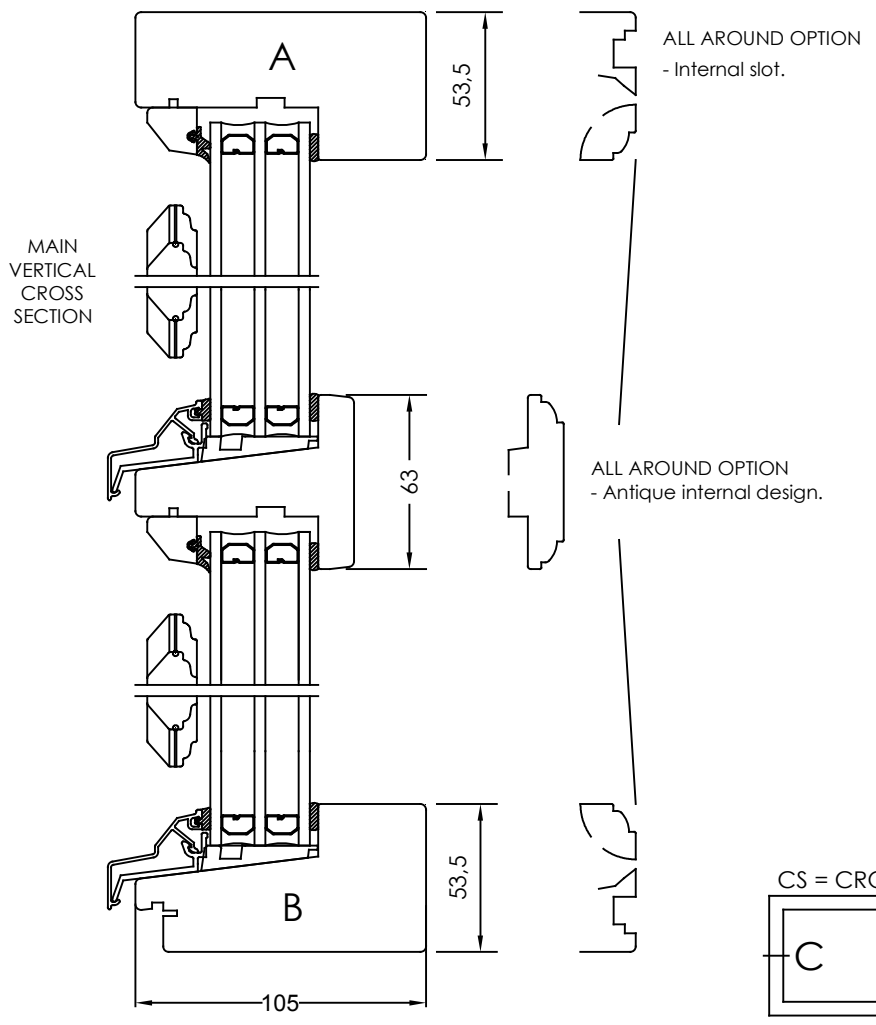
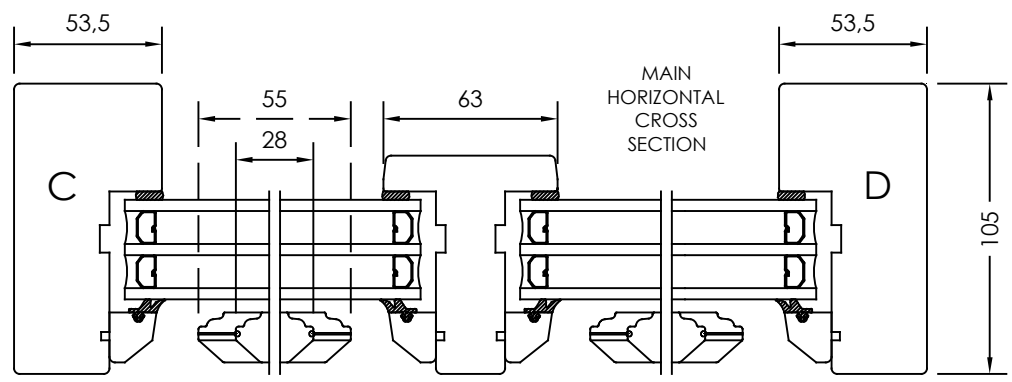


Rev	Description	Rev. by	Date
B	Rättat felaktig placering av smygspår.	SH	2017-04-21



Designed by	Designed date	Product Category	Processing Code
SH	2016-02-03	Window Outward	
Approved by	Approved date	Product Type	Material
SH	2017-05-24	Fixed	
		Fast	Tolerances unless otherwise specified
		3-glas, glaslist 1	ISO 2768-1 m
		Fixed	Article Number
		3-glass, glazing bead 1	61-37-F001
		View orientation	Scale
			1:1
		Revision	B

We reserve all rights in this document and in the information contained therein.
 Reproduction, use or disclosure to third parties without express authority is strictly forbidden.
 INWIDO