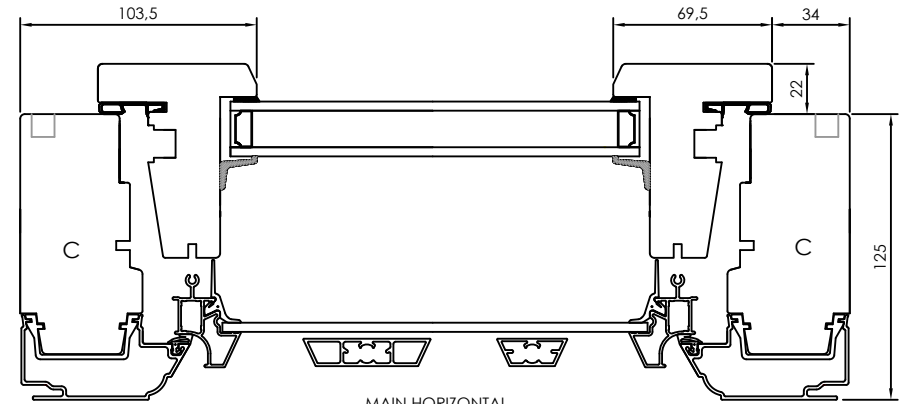


HORIZONTAL CS OPTION
- Two horizontal abutting sashes.

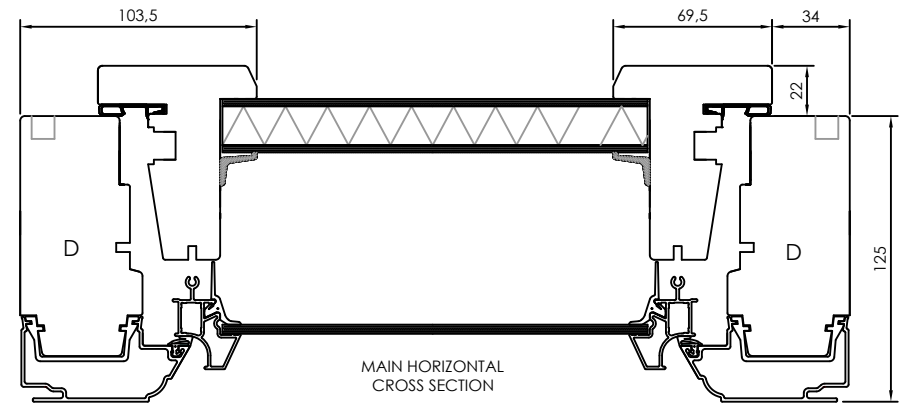
- VARIANT, FITTINGS**
- Exterior hinges.
 - Exterior tilt before turn hinges (kipp-dreh).
 - Internal hidden tilt before turn hinges (kipp-dreh).

ALL AROUND OPTION
- Internal slot (not for exterior kipp-dreh).

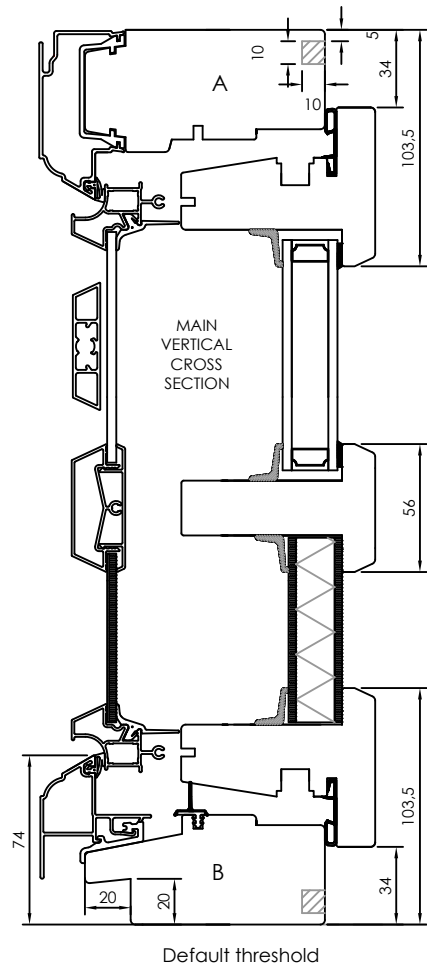
ALL AROUND OPTION
- Internal slot (not for exterior kipp-dreh).



MAIN HORIZONTAL CROSS SECTION

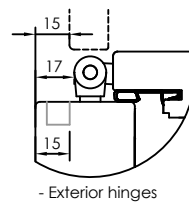


MAIN HORIZONTAL CROSS SECTION

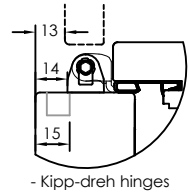


MAIN VERTICAL CROSS SECTION

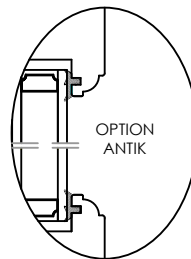
Default threshold



- Exterior hinges

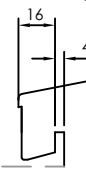


- Kipp-dreh hinges



OPTION ANTIK

VERTICAL CS OPTION
- Norwegian nose.



CS = CROSS SECTION

| Item | No. | Description | Drawingnumber | Articlenumber |
|---|-----|-------------------------------------|---------------|-----------------|
| Revision notification | | | Revised by | Revised date |
| Revision description | | | | |
| Description | | Created by | Created date | |
| Patio door, Inward opening 2+1. Allmoge | | TE | 2021-01-29 | |
| Material | | General tolerance acc. to ISO2768-1 | | Processing code |
| Included in product | | Included in product family | | Article number |
| Inward | | Door, Side Hung, Tilt & Turn | | |



Scale 1:2

Size A3

Drawing number 40-37-W57

Revision no. A

