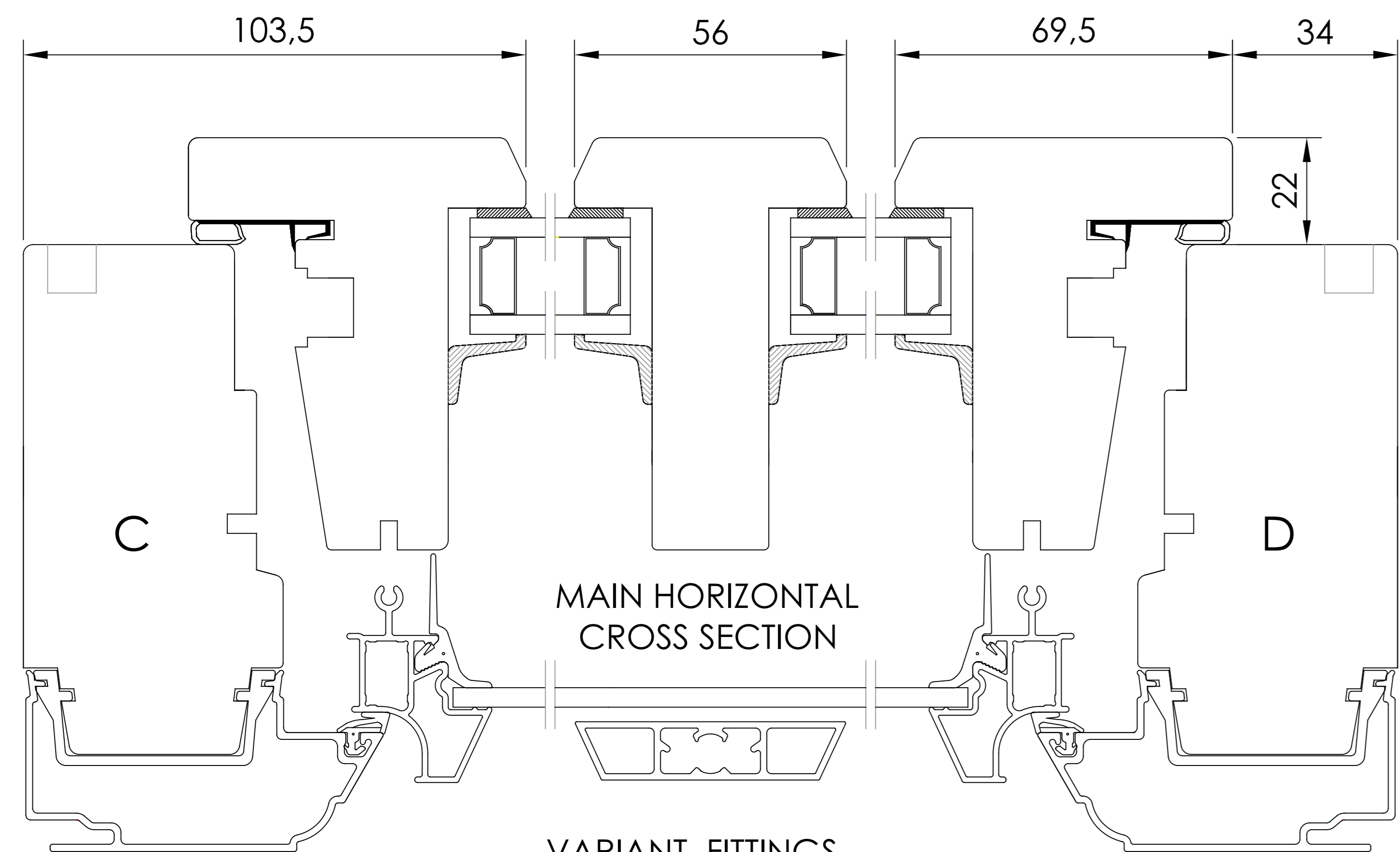


Upphovsrätten till detta dokument och alla bilagor anförs till mottagaren personligen, den får inte kopieras eller på annat sätt reproduceras detta dokument till tredje part utan skriftligt tillstånd är strängt förbjudet.



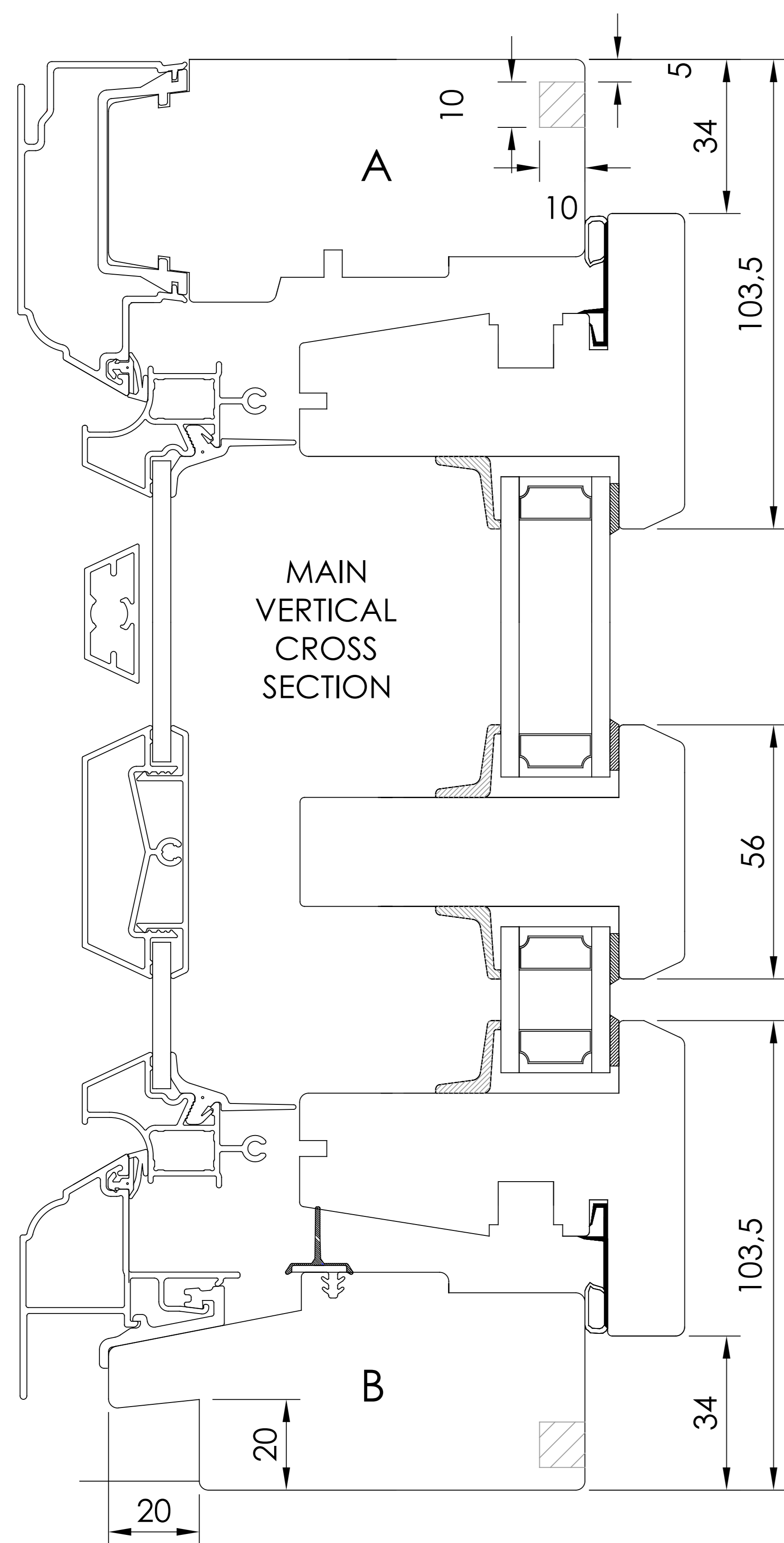
MAIN HORIZONTAL CROSS SECTION

VARIANT, FITTINGS

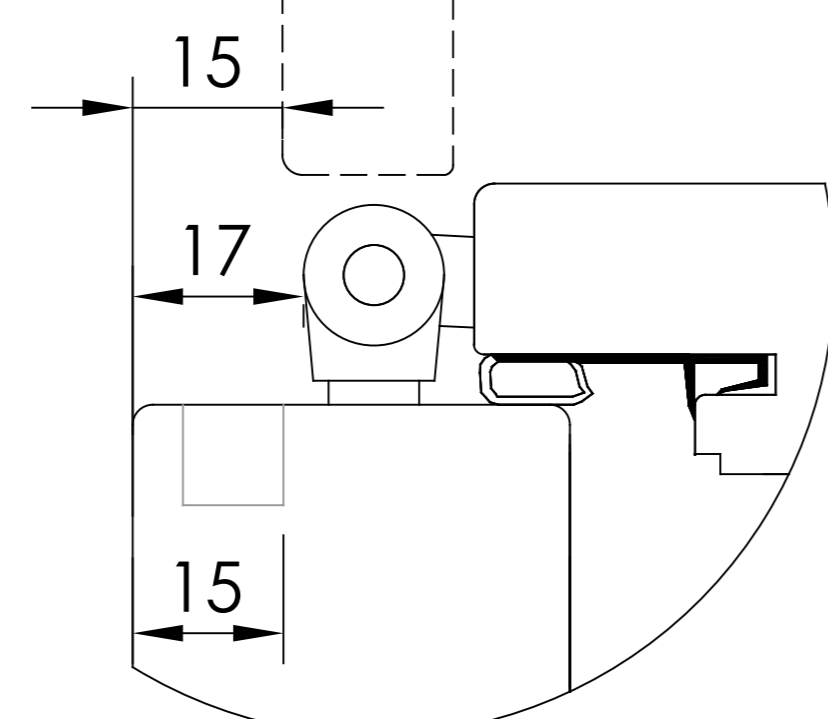
- Exterior hinges.
- Exterior tilt before turn hinges (kipp-dreh).
- Internal hidden tilt before turn hinges (kipp-dreh).

ALL AROUND OPTION

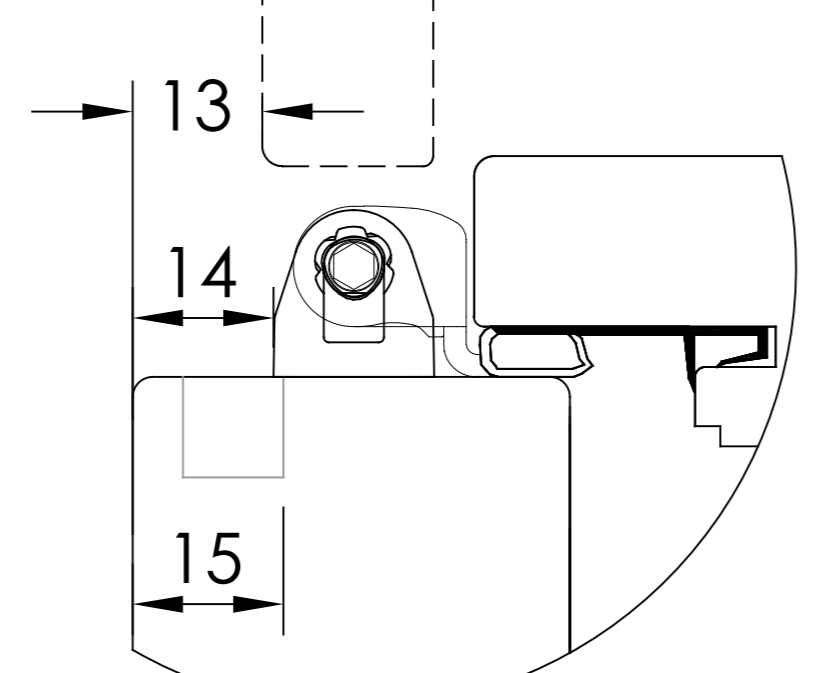
- Internal slot (not for exterior kipp-dreh).



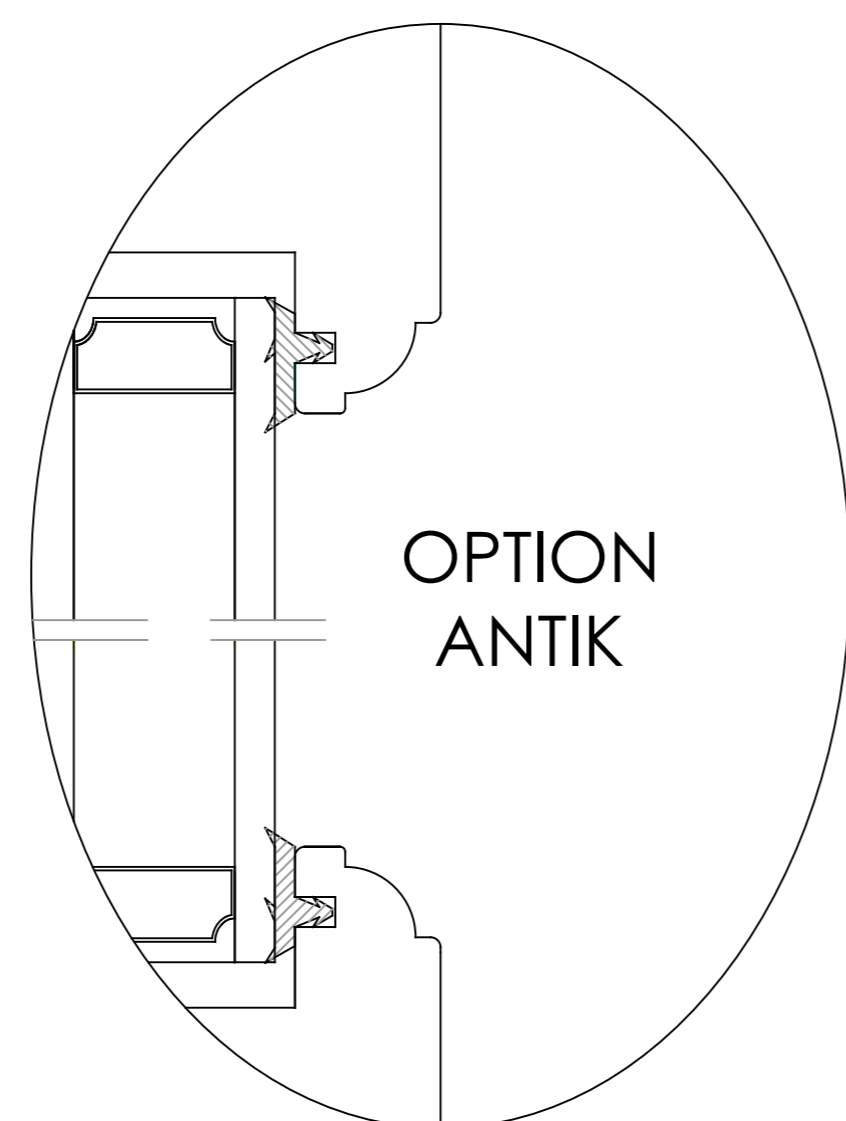
MAIN VERTICAL CROSS SECTION



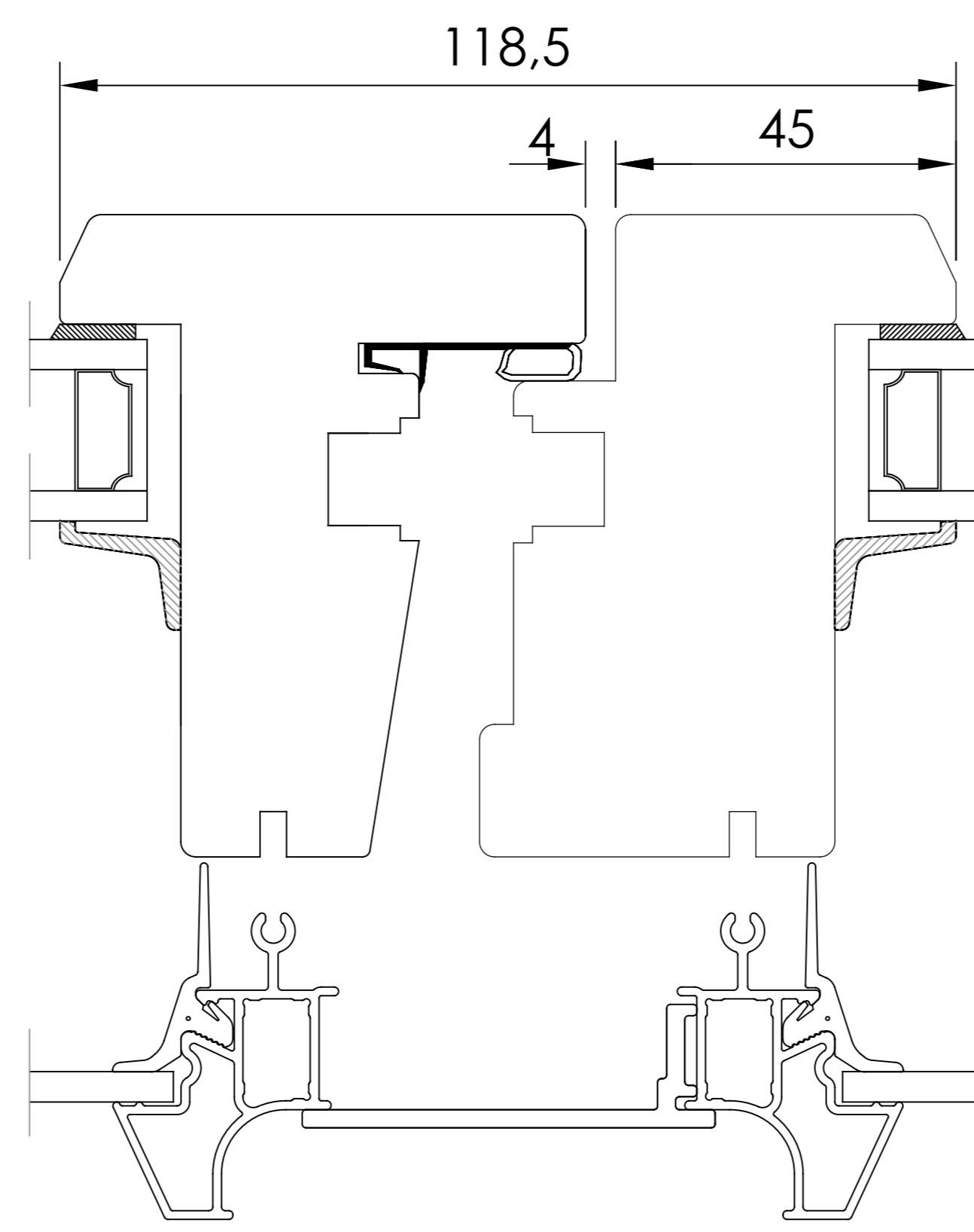
- Exterior hinges



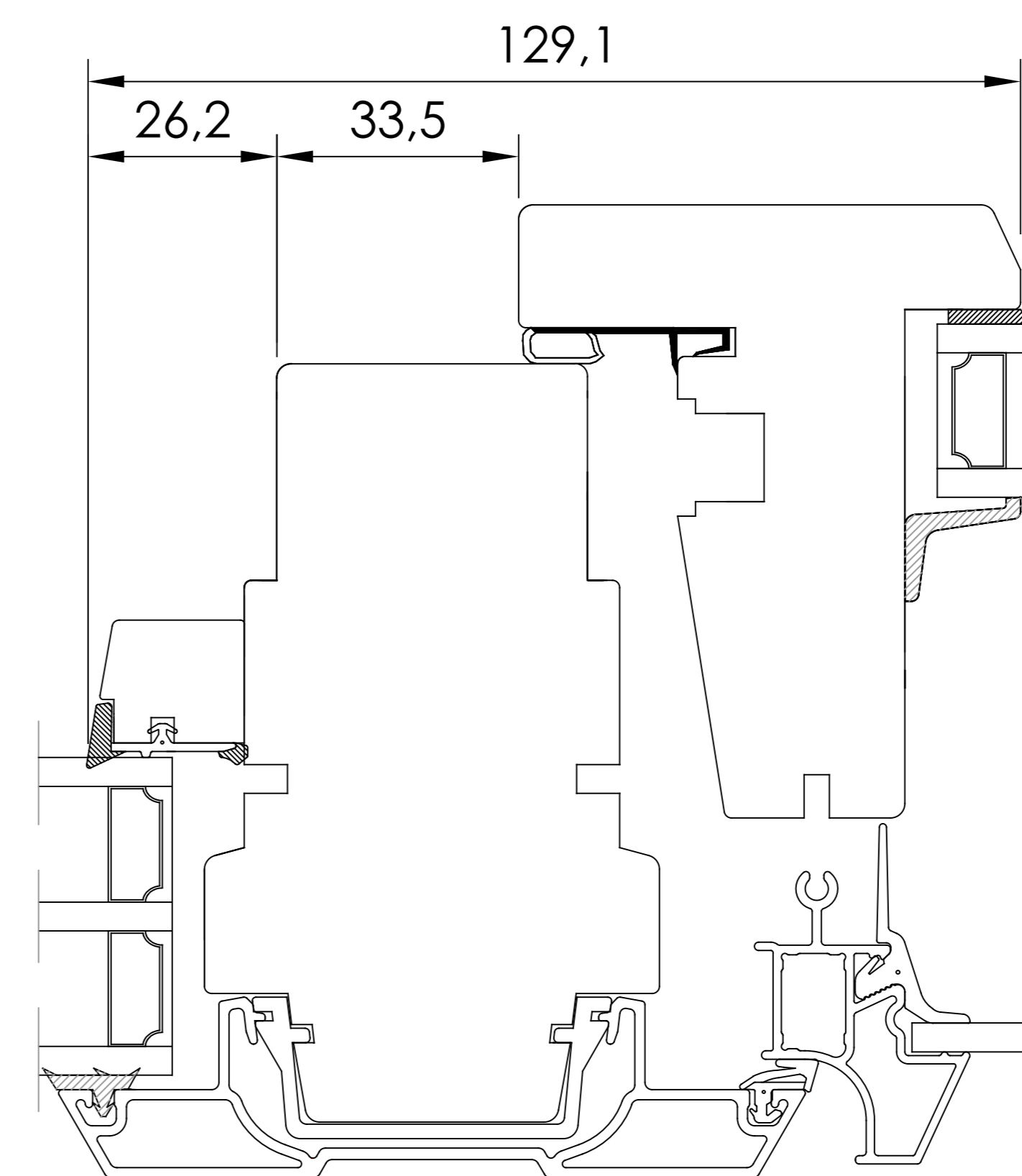
- Kipp-dreh hinges



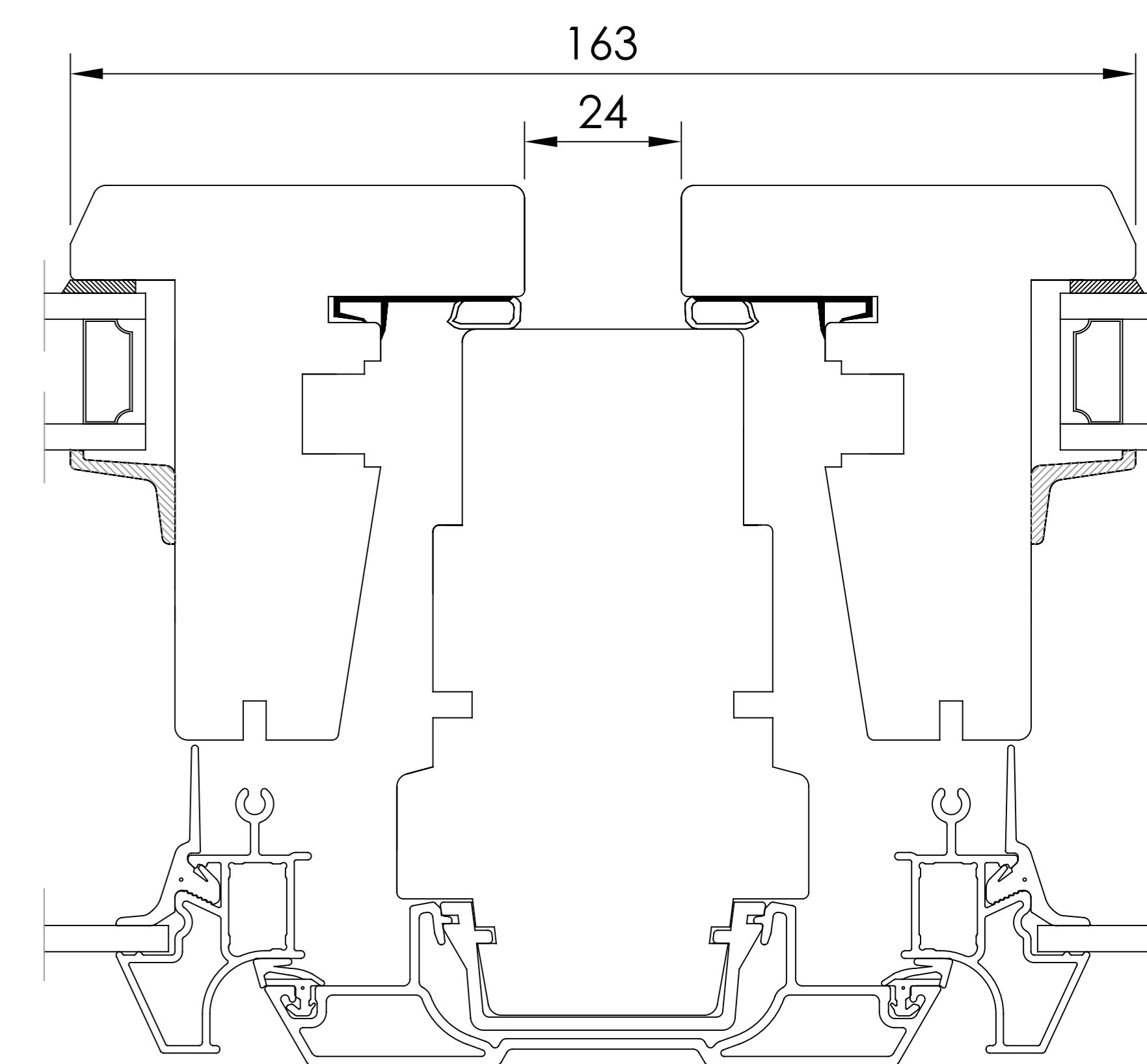
OPTION ANTIK



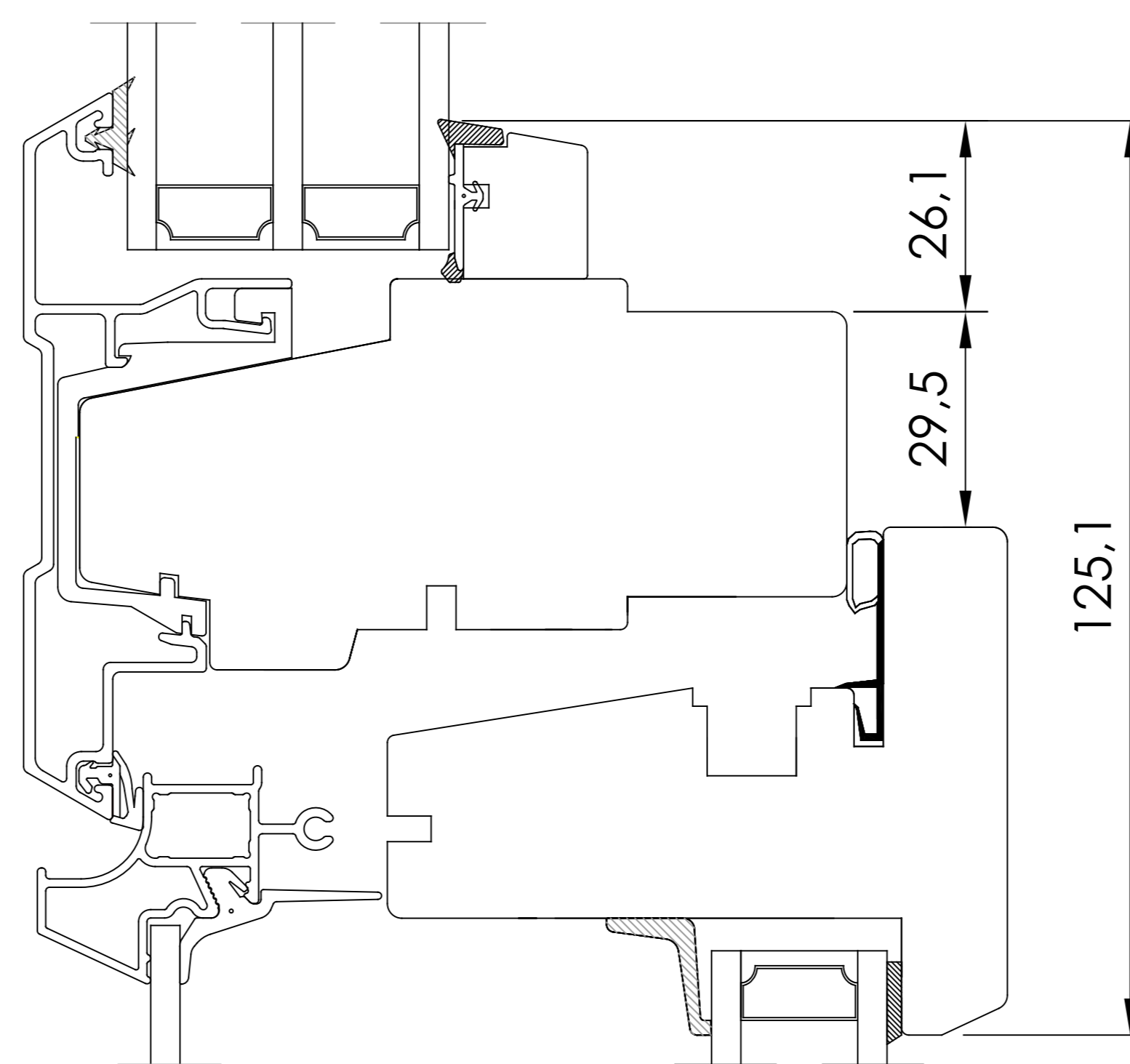
HORIZONTAL CS OPTION  
- Two horizontal abutting sashes.



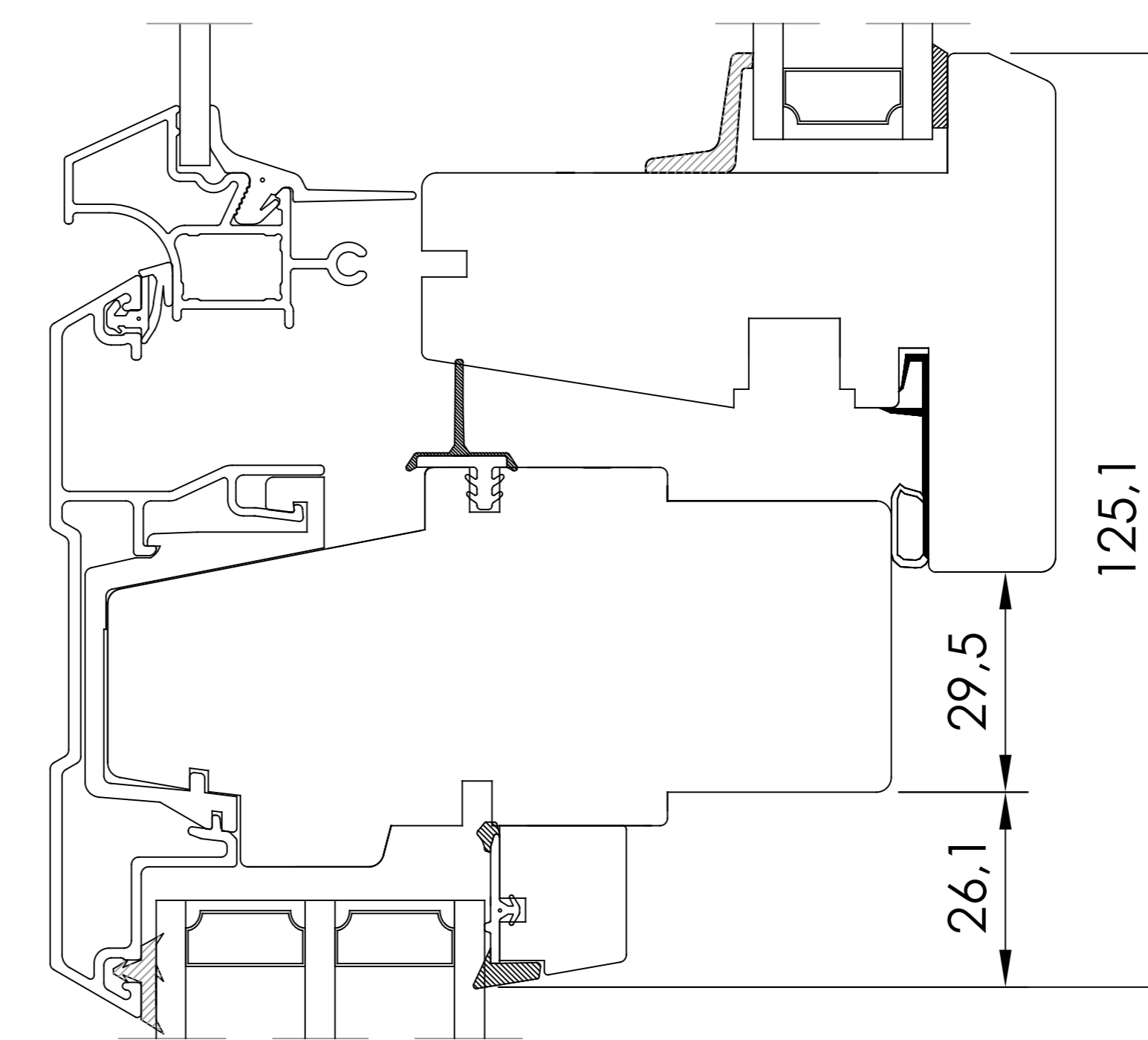
HORIZONTAL CS OPTION  
- One glass in fixed frame, the other in sash with side hung fittings and kipp-dreh function.



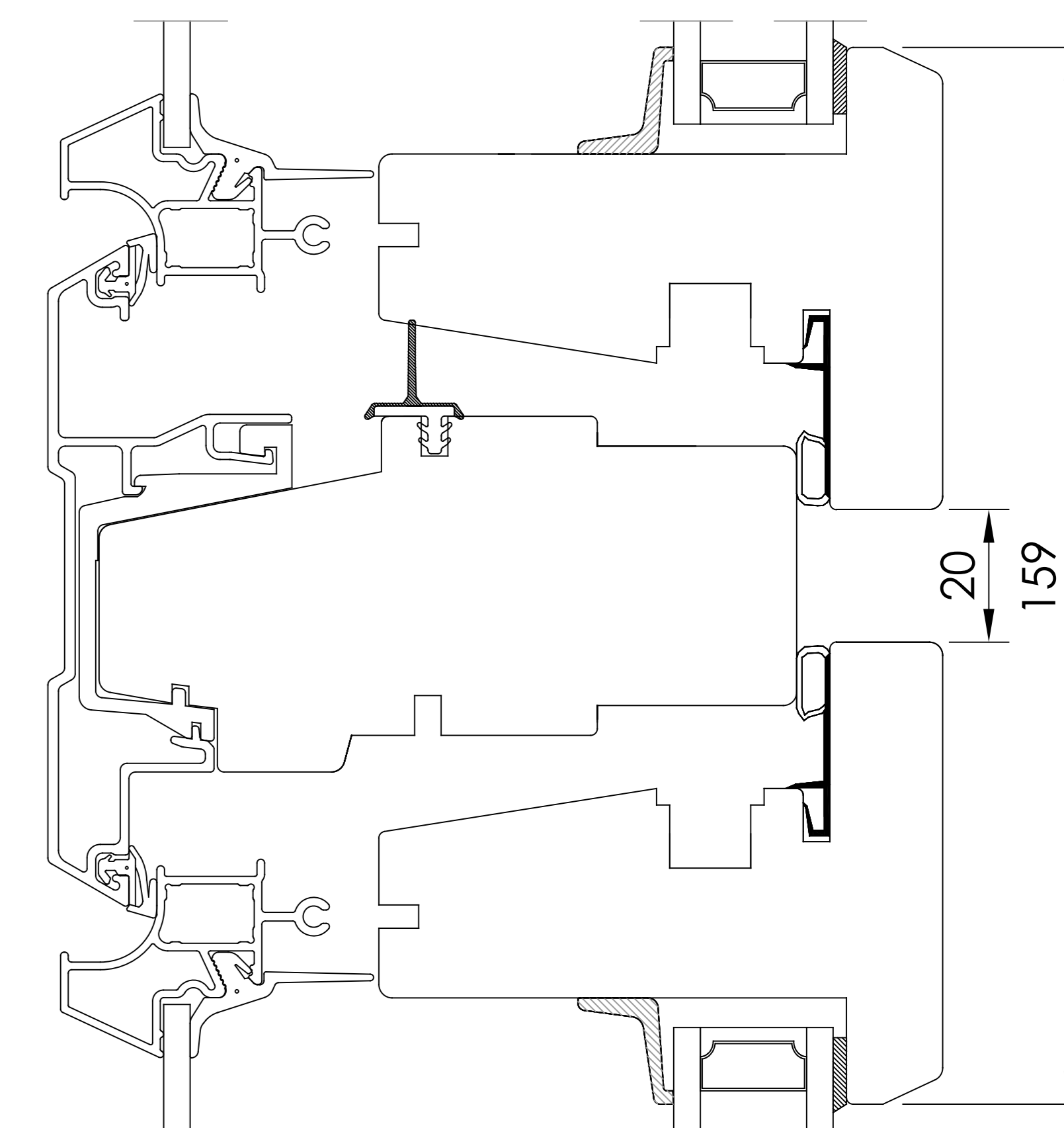
HORIZONTAL CS OPTION  
- Two horizontal sashes with middle post.



VERTICAL CS OPTION  
- Top glass in frame and bottom glass in sash with side hung fittings and kipp-dreh function.

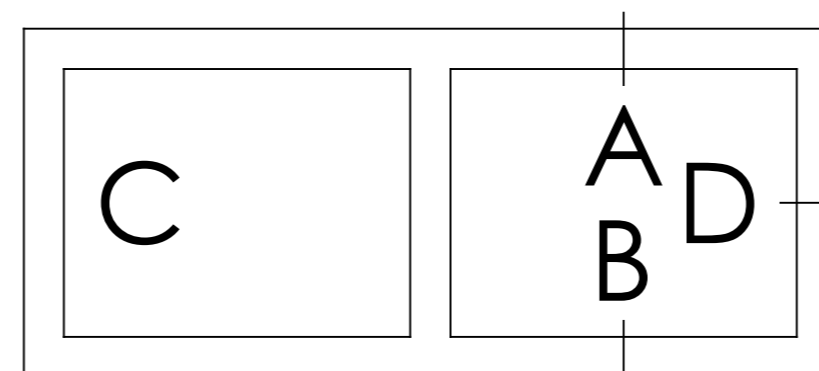
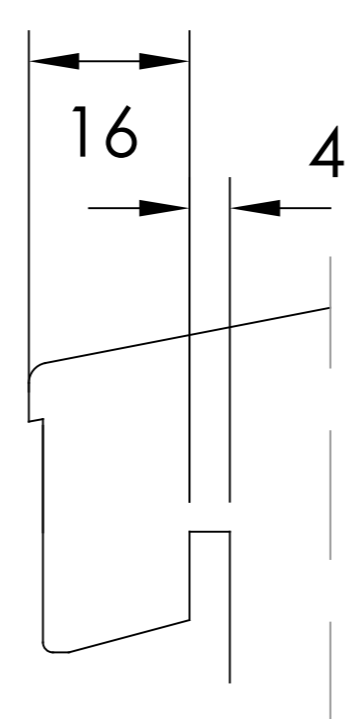


VERTICAL CS OPTION  
- Top glass in sash with side hung fittings and kipp-dreh function, bottom glass in frame.



VERTICAL CS OPTION  
- Top and bottom glass in sash with side hung fittings and kipp-dreh function, a middle post inbetween.

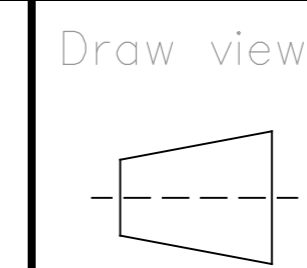
VERTICAL CS OPTION  
- Norwegian nose.



CS = CROSS SECTION

Item	No.	Description	Drawingnumber	Articlenumber
Revision notification			Revised by	Revised date
Revision description				
Description		Window, Inward opening 2+1 Allmoge	Created by TE	Created date 2020-08-04
Material			General tolerance acc. to ISO2768-1	Processing code
Included in product		Inward	Included in product family Side Hung, Tilt & Turn	Article number

**INWIDO**  
Great Windows & Doors



Scale: 1:2  
Size: A3  
Drawing number: 40-37-W56  
Revision no: (A)