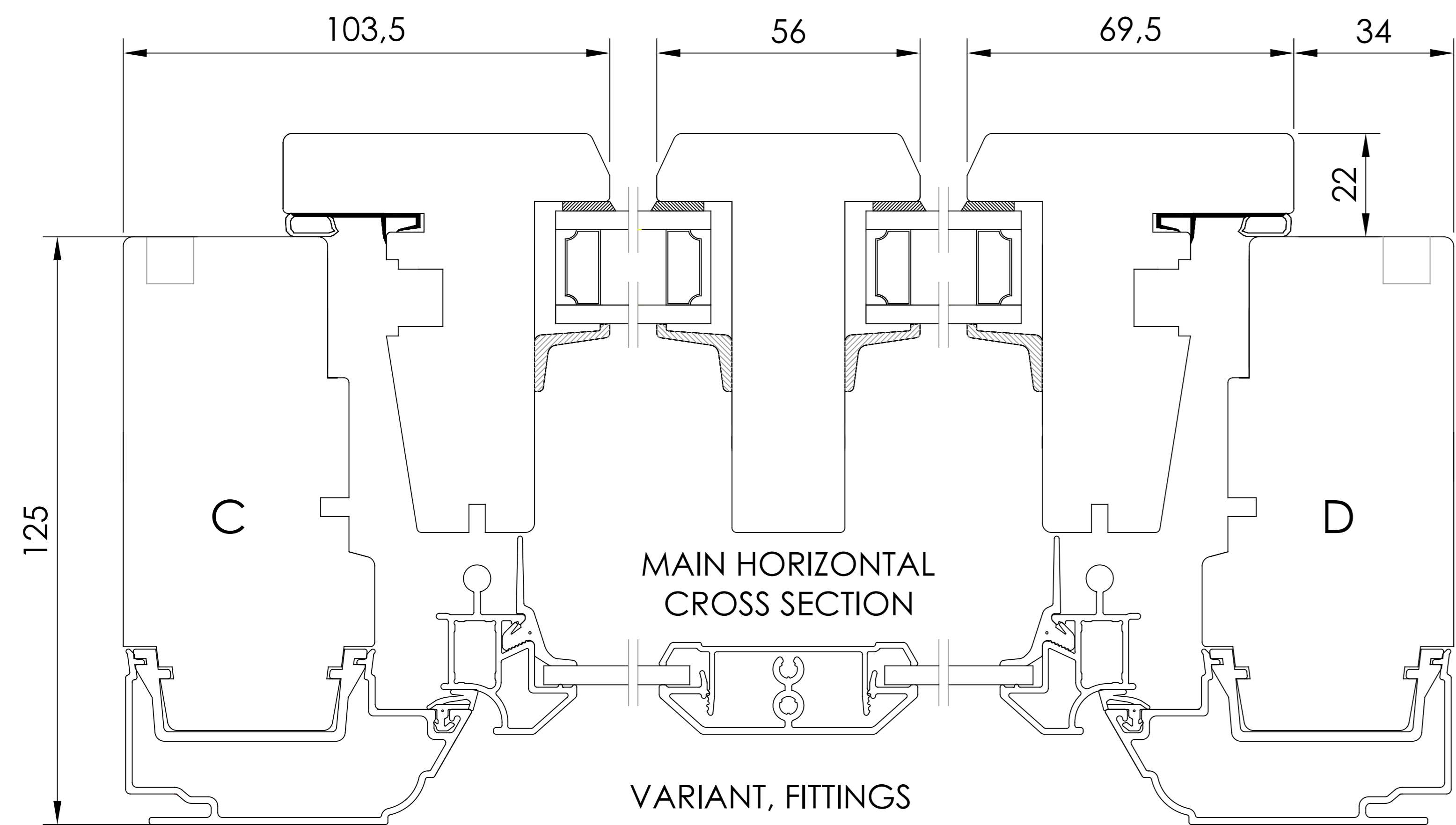
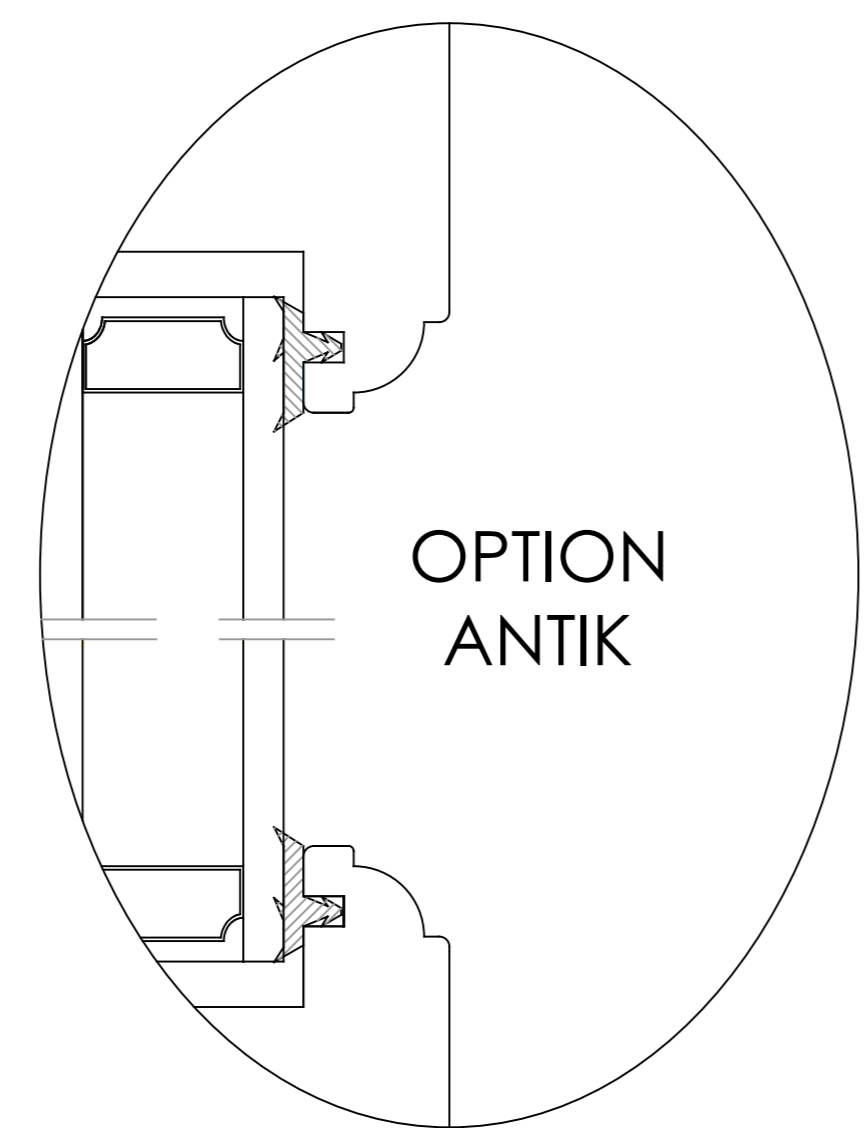
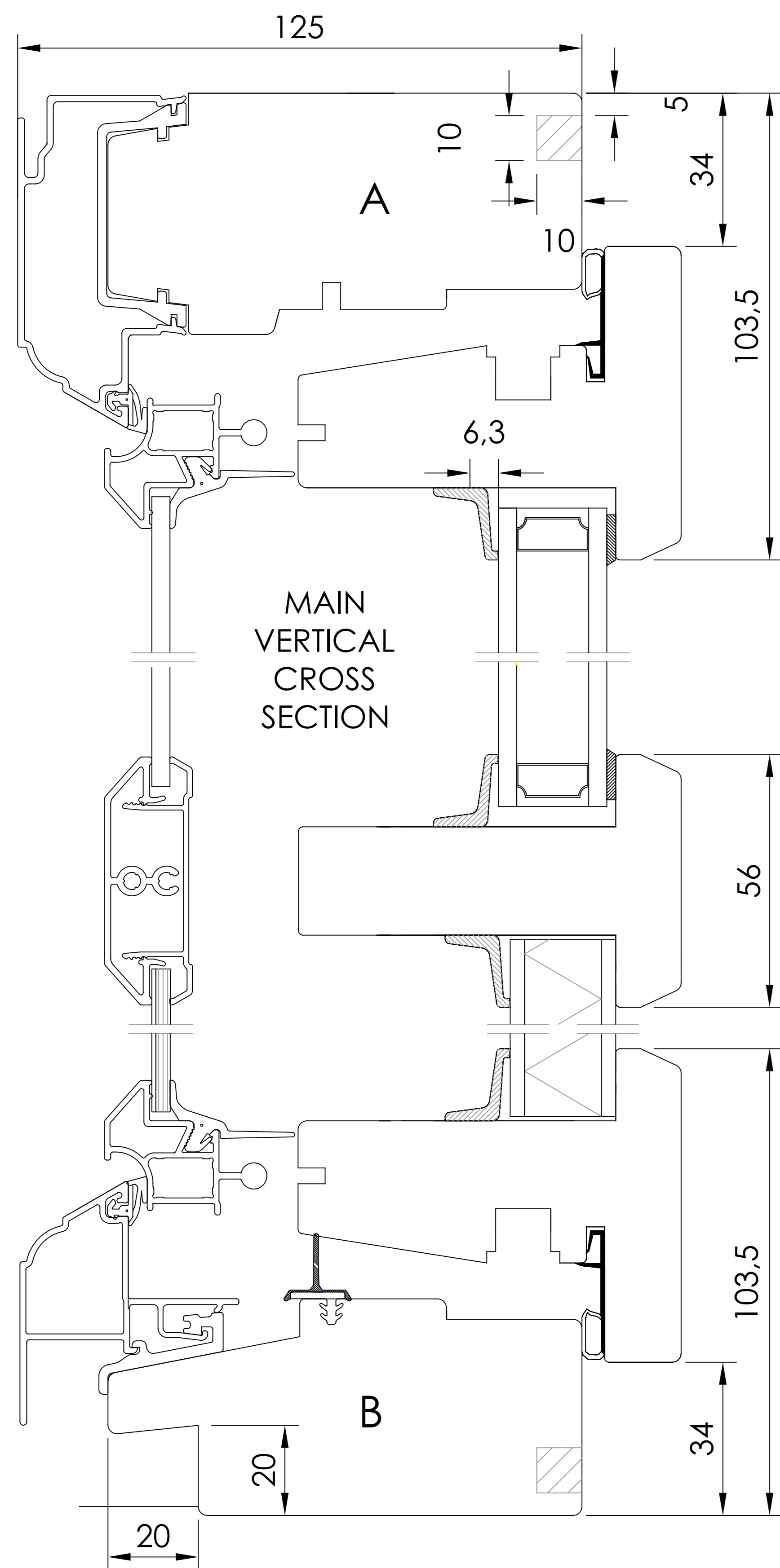


Upphovsrätten till detta dokument och alla bilagor anförs till mottagaren personligen, den förblir alltid Inwido AB:s (556633-3828) egendom. Allt kopiera eller på annat sätt reproducera detta dokument till tredje part utan skriftligt tillstånd är strängt förbjudet.

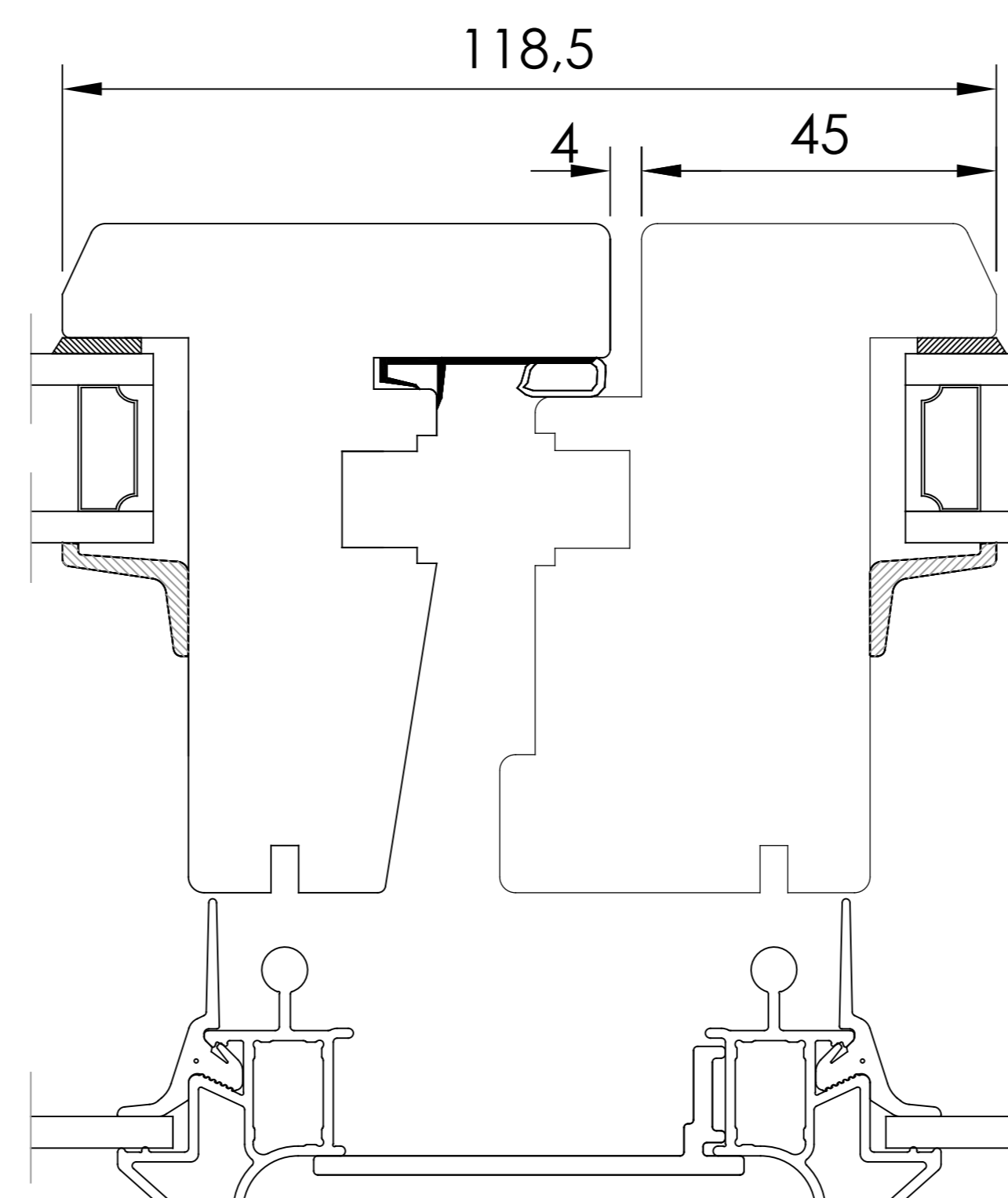
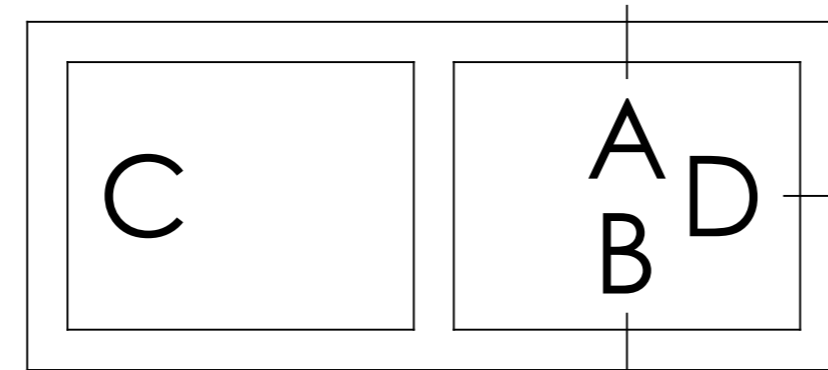
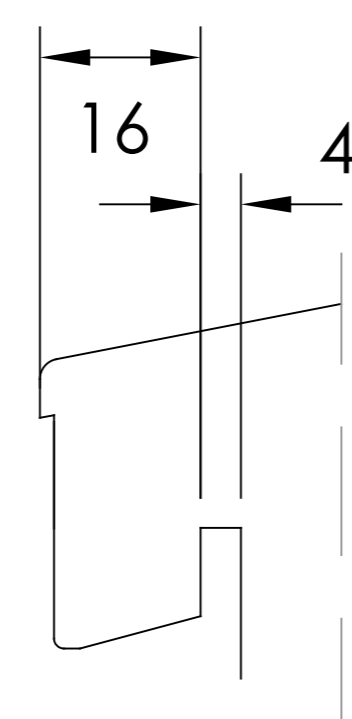


- VARIANT, FITTINGS**
- Exterior hinges.
  - Exterior tilt before turn hinges (kipp-dreh).
  - Internal hidden tilt before turn hinges (kipp-dreh).

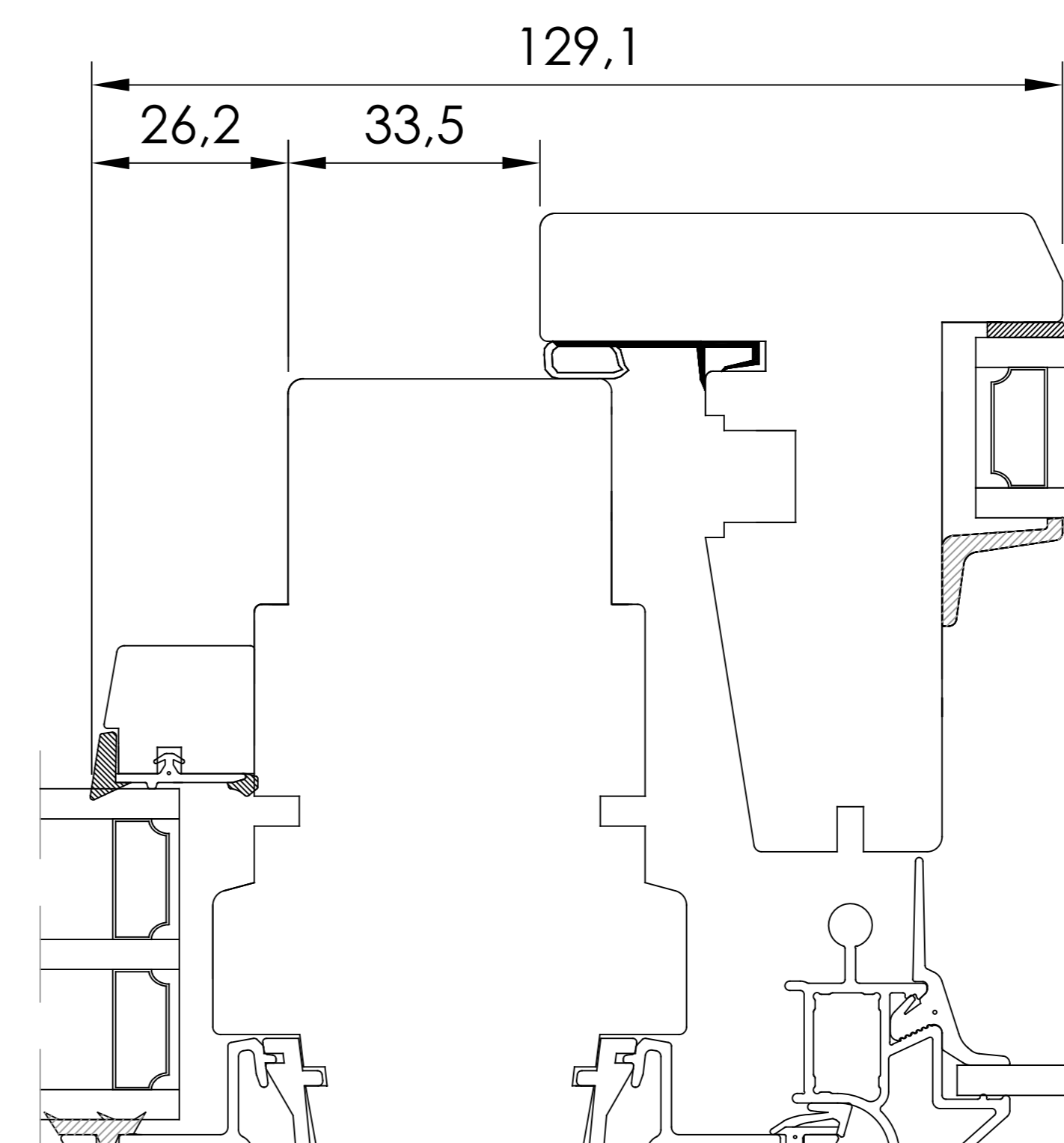
**ALL AROUND OPTION**  
- Internal slot (not for exterior kipp-dreh).



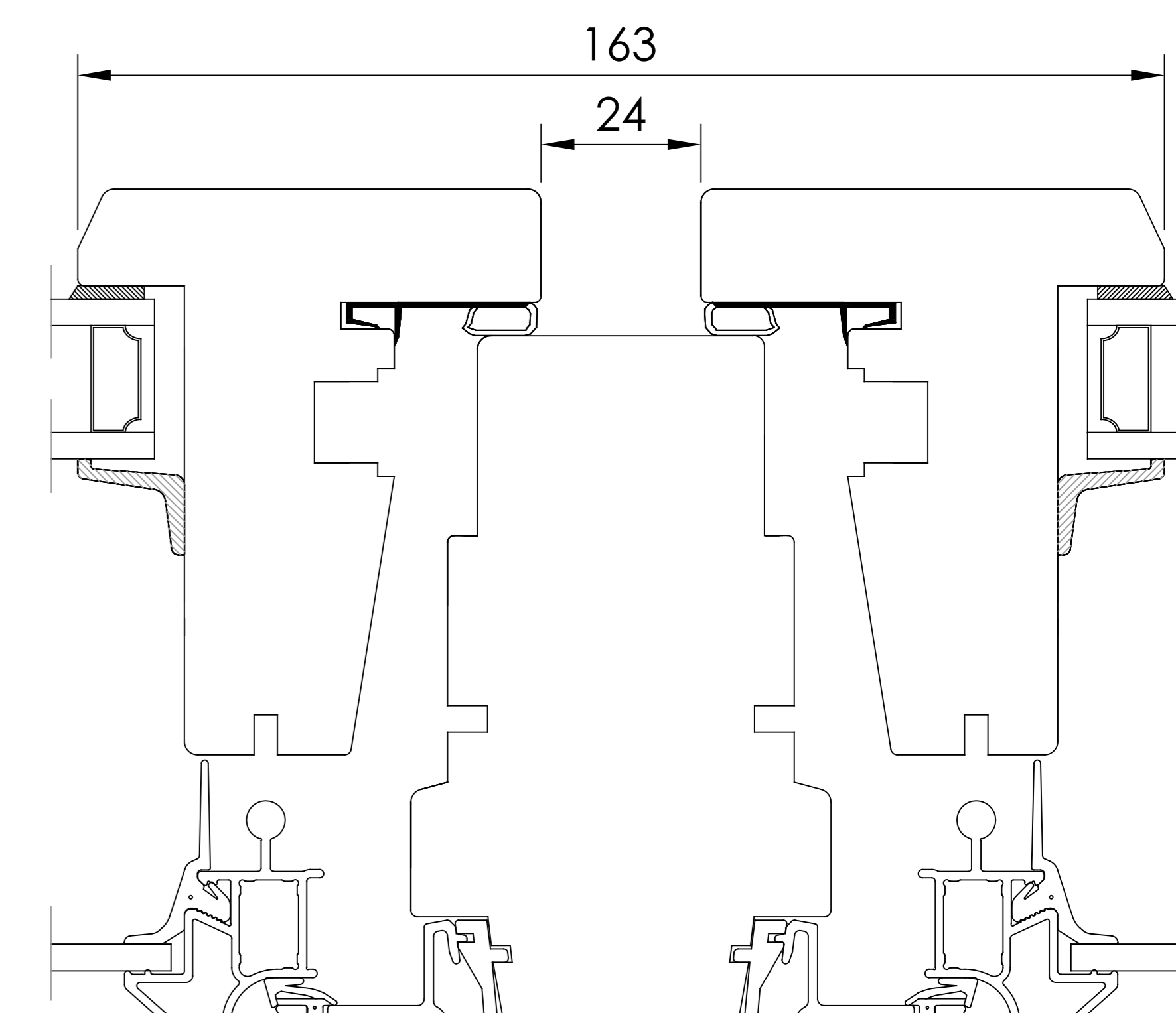
**VERTICAL CS OPTION**  
- Norwegian nose.



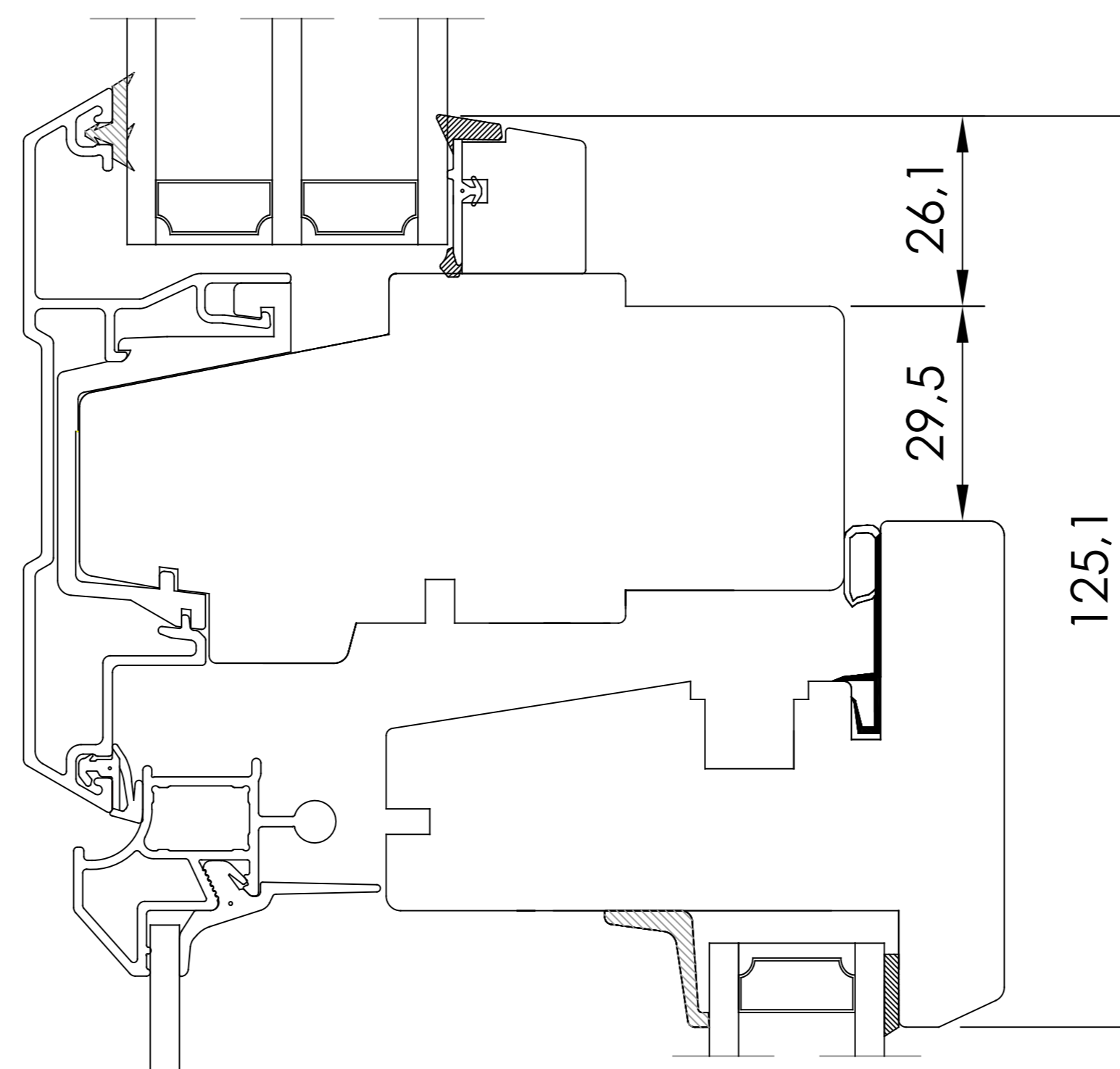
**HORIZONTAL CS OPTION**  
- Two horizontal abutting sashes.



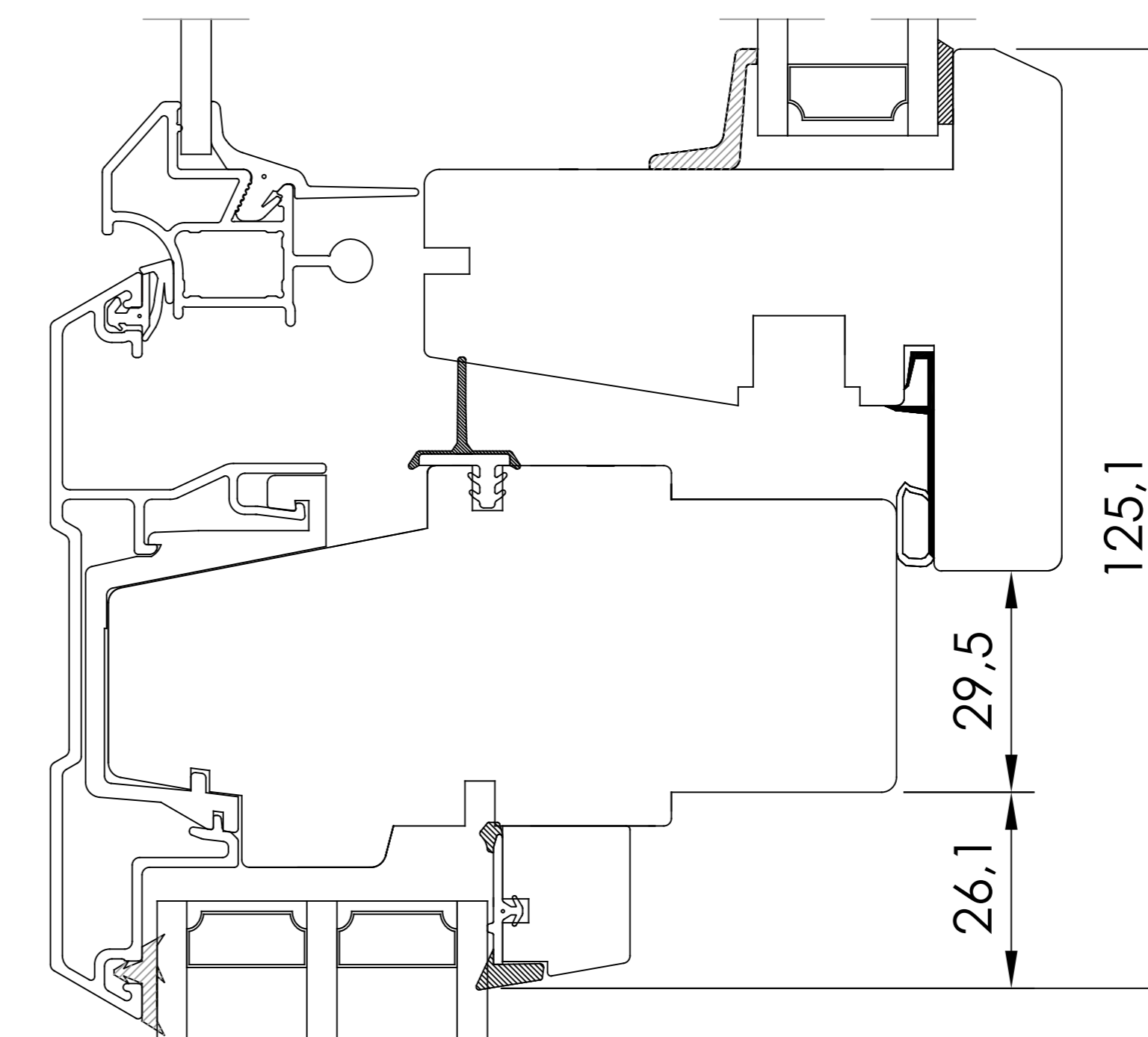
**HORIZONTAL CS OPTION**  
- One glass in fixed frame, the other in sash with side hung fittings and kipp-dreh function.



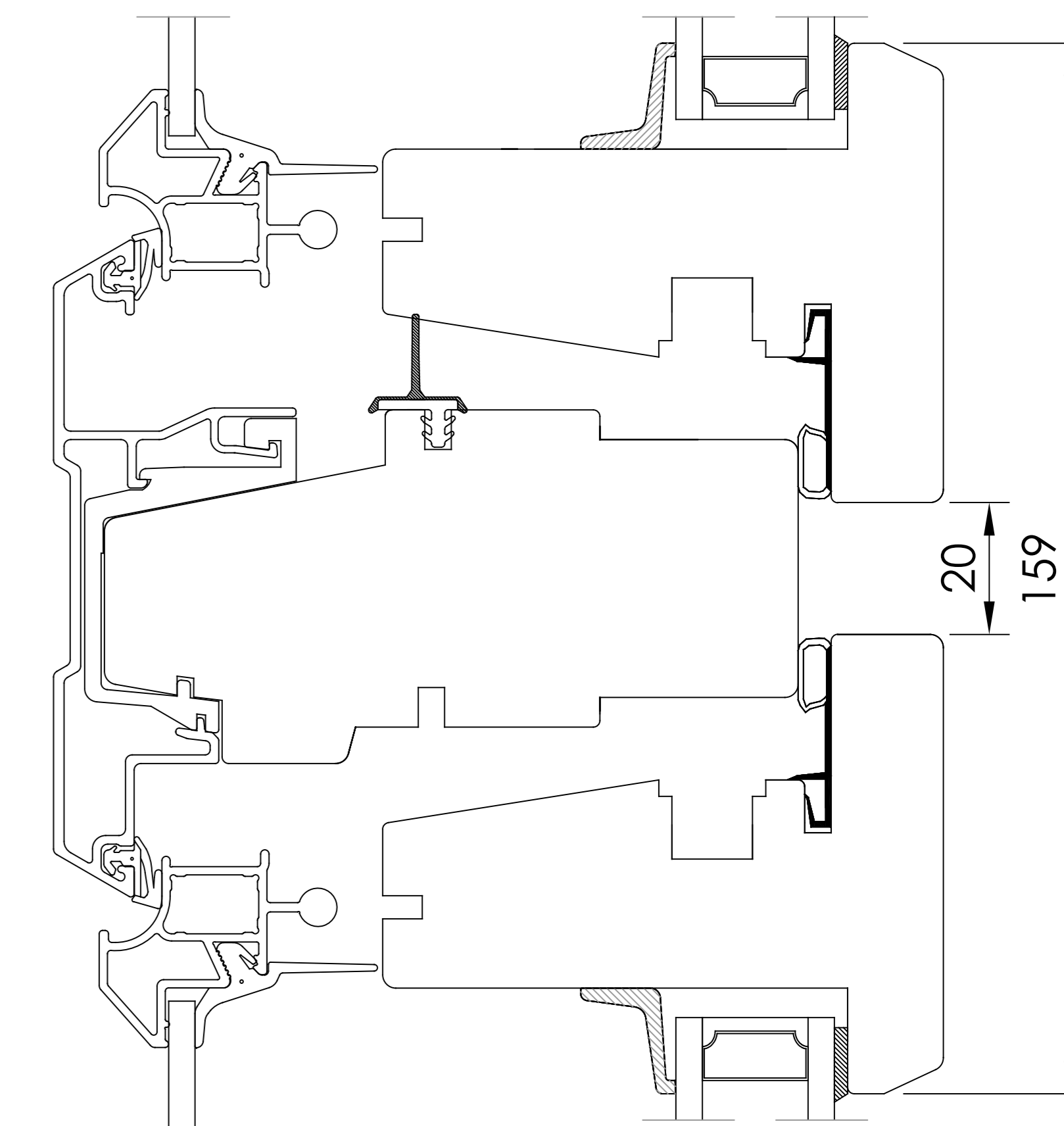
**HORIZONTAL CS OPTION**  
- Two horizontal sashes with middle post.



**VERTICAL CS OPTION**  
- Top glass in frame and bottom glass in sash with side hung fittings and kipp-dreh function.



**VERTICAL CS OPTION**  
- Top glass in sash with side hung fittings and kipp-dreh function, bottom glass in frame.

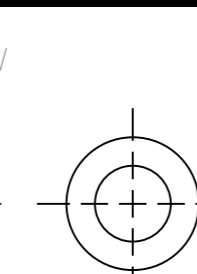
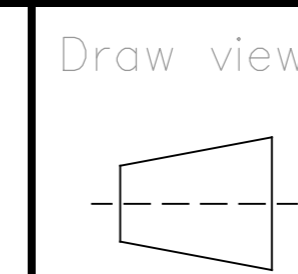


**VERTICAL CS OPTION**  
- Top and bottom glass in sash with side hung fittings and kipp-dreh function, a middle post inbetween.

CS = CROSS SECTION

Item	No.	Description	Drawingnumber	Articlenumber
Revision notification			Revised by	Revised date
Revision description				
Description		Window, Inward opening coupled 2+1. Allmoge	TE	2019-01-28
Material		General tolerance acc. to ISO2768-1		Processing code
Included in product		Included in product family		Article number
Inward		Side Hung + Tilt & Turn		Revision no

**INWIDO**  
Great Windows & Doors



1:2

A3

40-37-W47

A