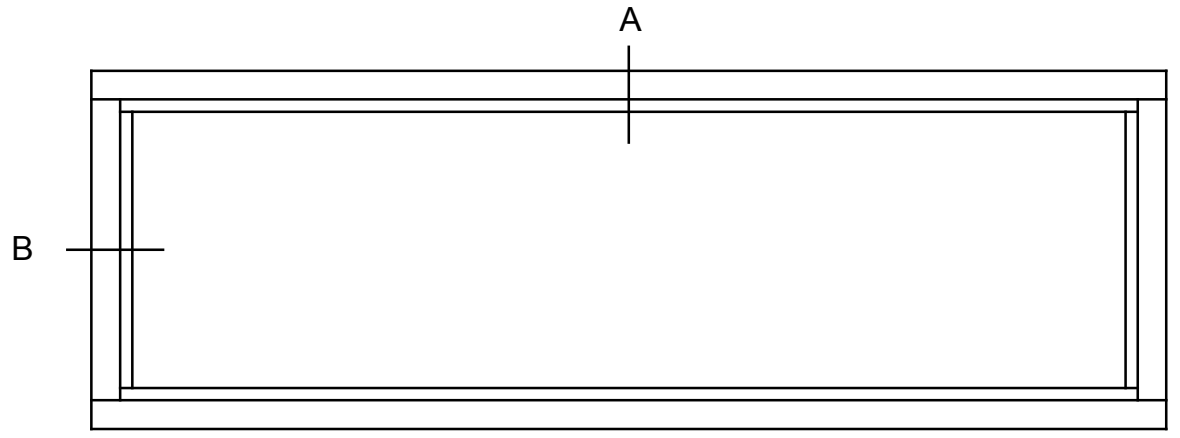
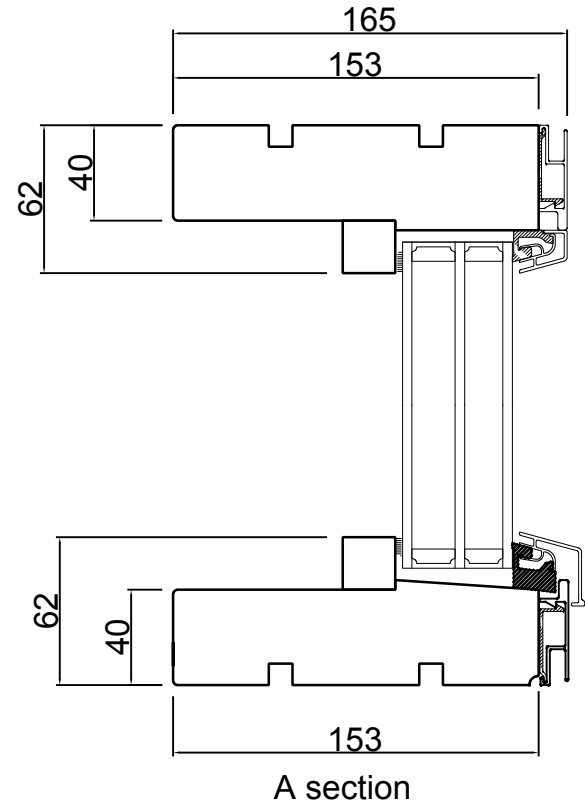
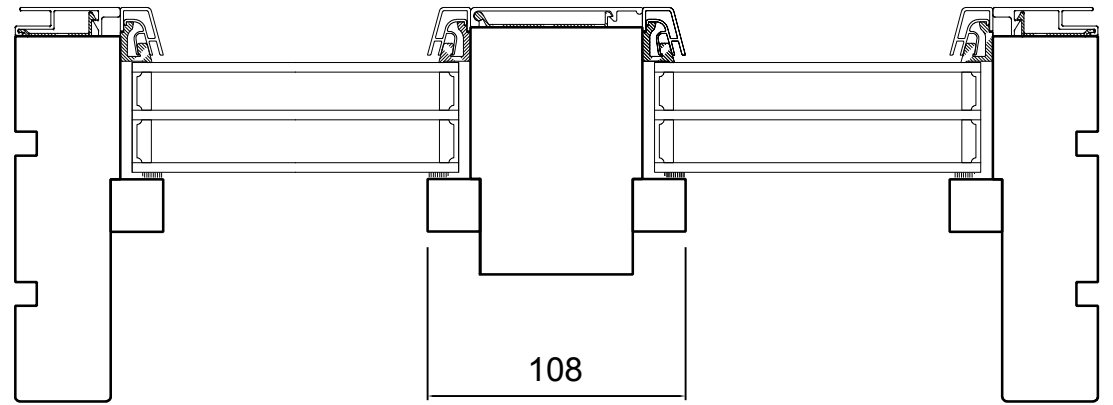
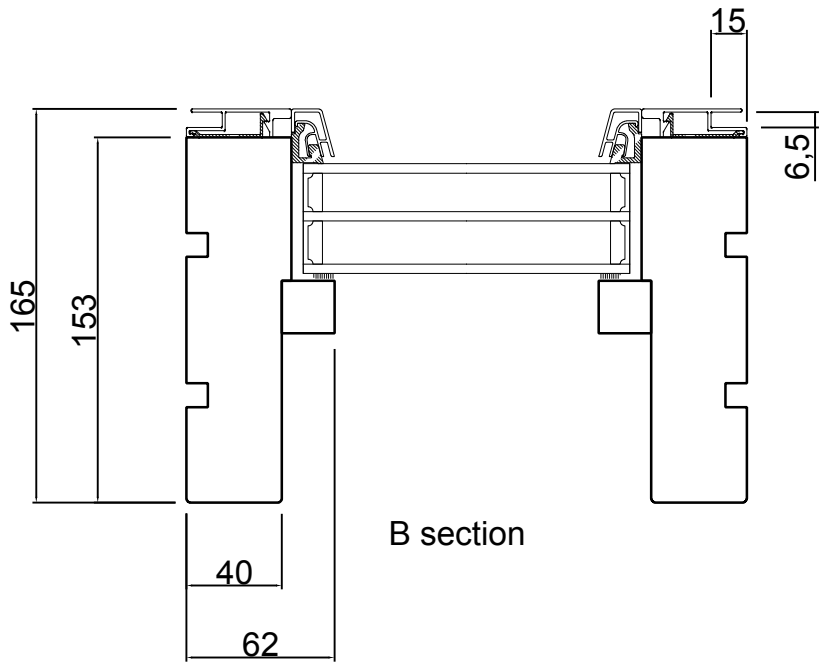

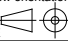


Rev	Description	Rev. by	Date



Designed by SH	Designed date 2019-05-16	Product Category Door	Processing Code	
Approved by	Approved date	Product Type Sliding	Material	
		Elitfönster Skjuddörr Alu Överljus Elitfönster Sliding Door Alu Overlight	Tolerances unless otherwise specified	View orientation E 
			Article Number ASPÖ	Scale
			Drawing Number 86-37-01 E	Revision (A)