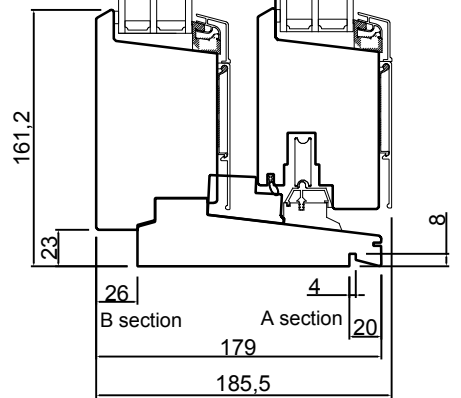
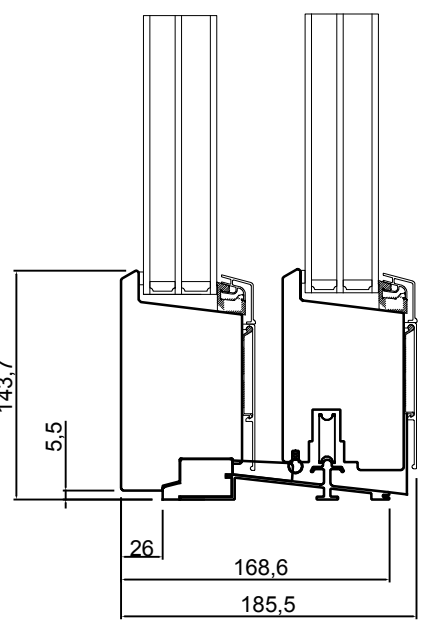
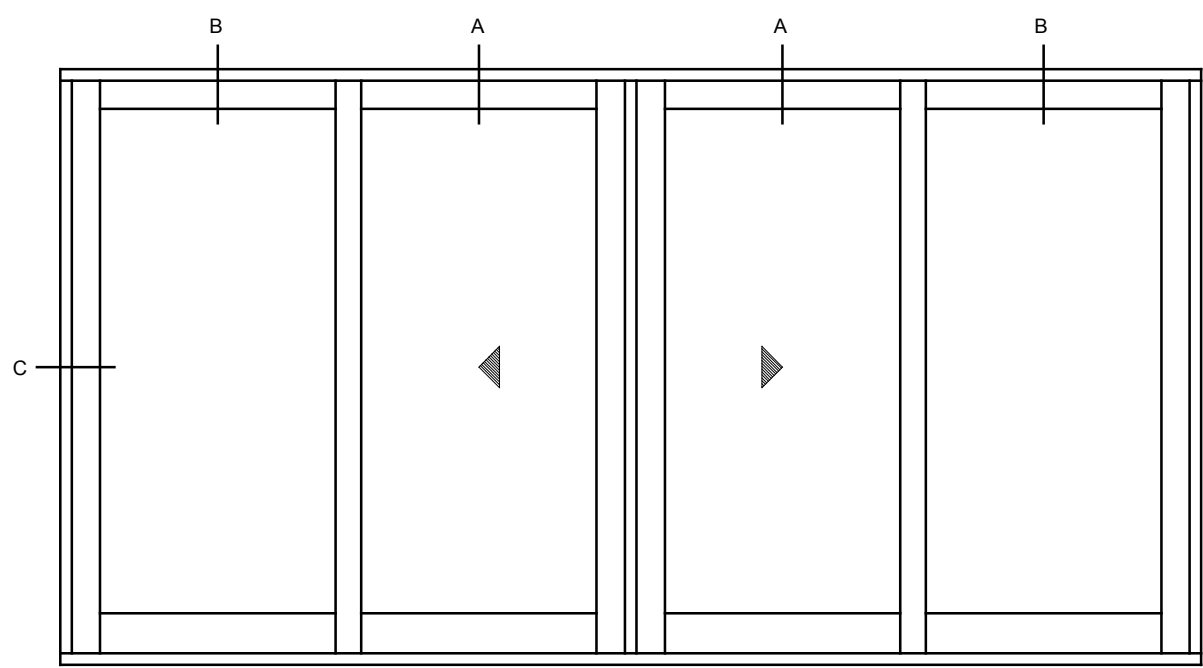
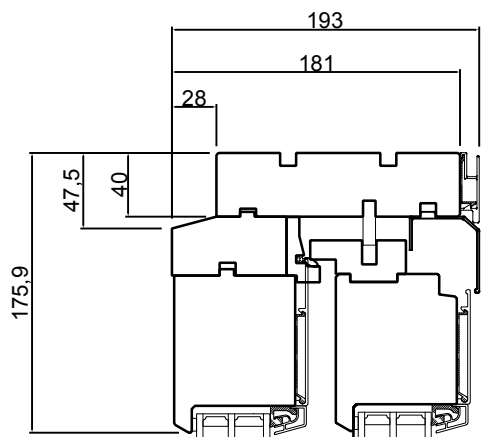
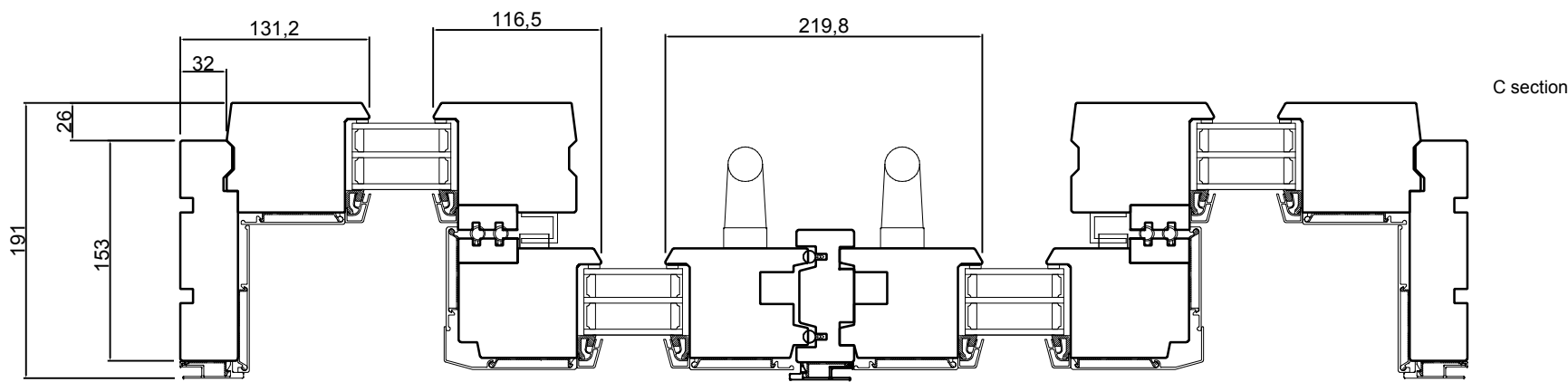

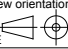


Rev	Description	Rev. by	Date



Designed by SH	Designed date 2019-05-16	Product Category Door	Processing Code
Approved by	Approved date	Product Type Sliding	Material
 Elitfönster Skjutdörr Alu 2 Skjutbara delar, 2 fasta delar Elitfönster Sliding Door Alu 2 Sliding parts, 2 fixed parts			Tolerances unless otherwise specified
			View orientation E 
Article Number ASP4			Scale
Drawing Number 86-37-04 E			Revision (A)