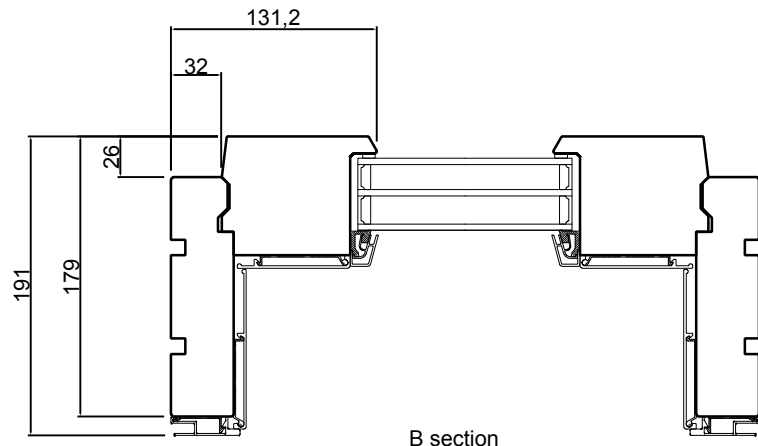
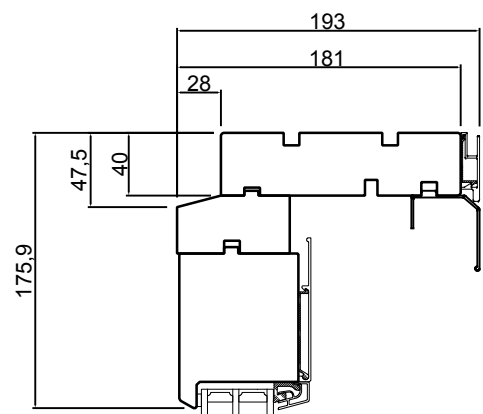


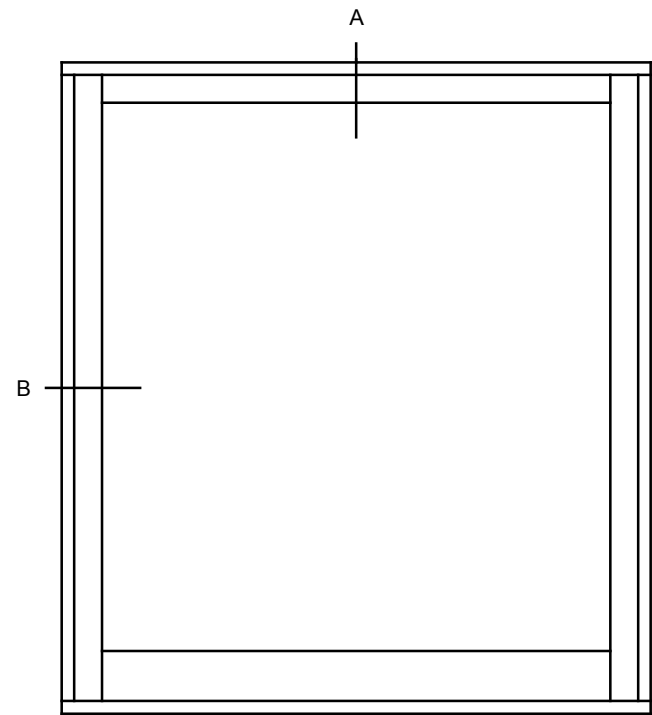
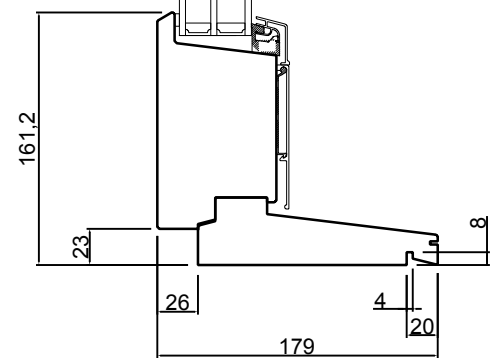
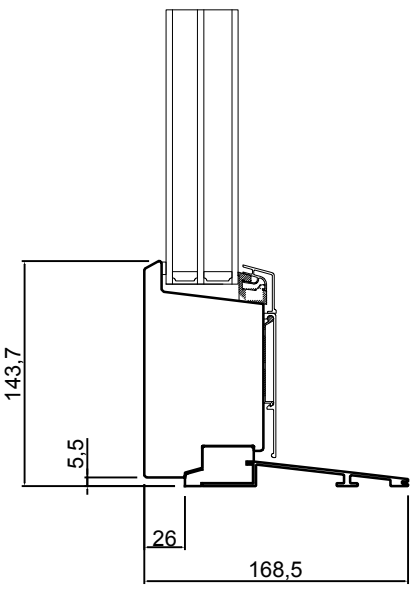
Rev	Description	Rev. by	Date


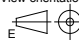


B section



A section



Designed by <b>SH</b>	Designed date <b>2019-05-16</b>	Product Category <b>Door</b>	Processing Code	
Approved by	Approved date	Product Type <b>Sliding</b>	Material	
		<b>Elifönster Skjutdörr Alu</b> <b>Fast</b> <b>Elitfönster Sliding Door Alu</b> <b>Fixed</b>	Tolerances unless otherwise specified	View orientation 
			Article Number <b>ASP1</b>	Scale
			Drawing Number <b>86-37-02 E</b>	Revision <b>(A)</b>