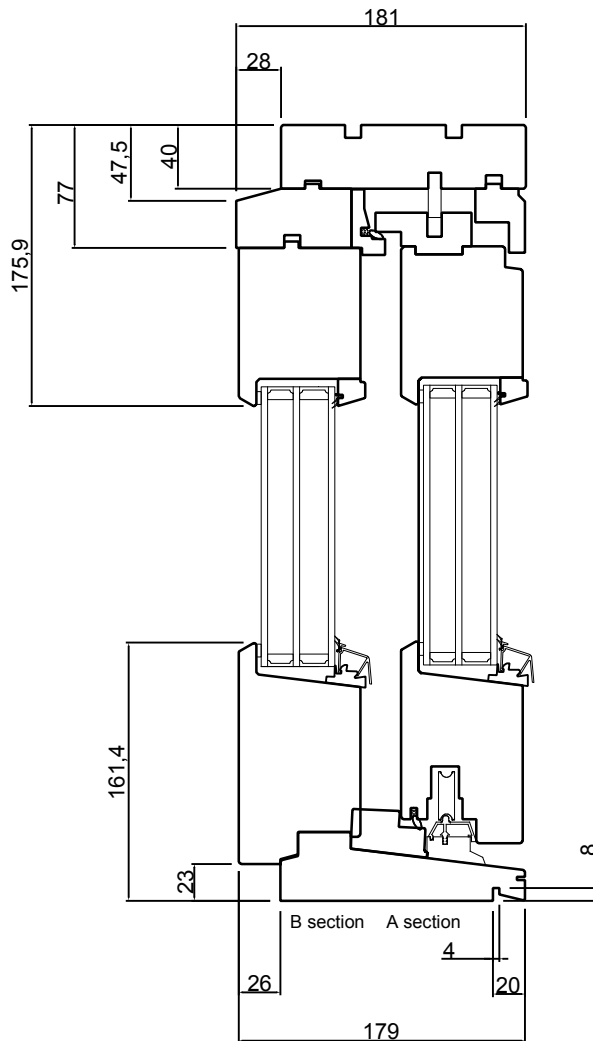
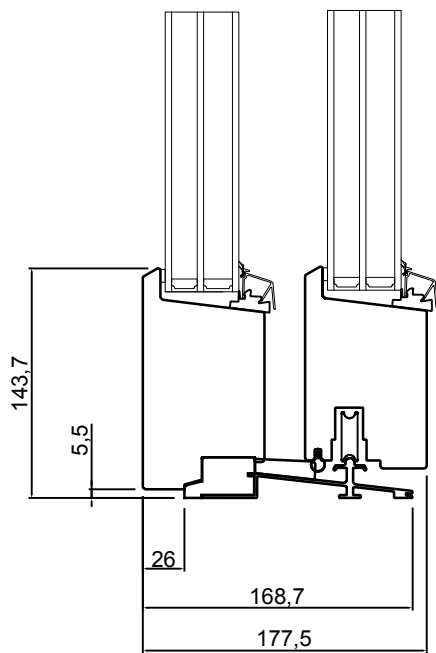
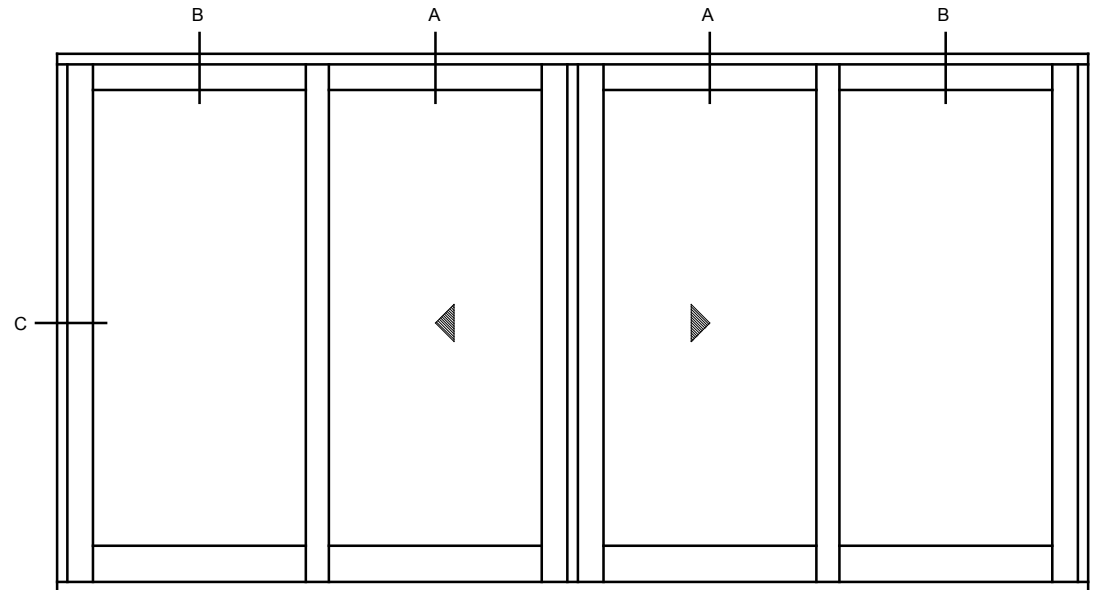


C section



B section A section



Designed by SH	Designed date 2019-05-16	Product Category Door	Processing Code
Approved by	Approved date	Product Type Sliding	Material
 Elitfönster Elifönster Skjutdörr Trä 2 Skjutbara delar, 2 Fasta delar Elitfönster Sliding Door Wood 2 Sliding parts, 2 Fixed parts			Tolerances unless otherwise specified
			View orientation E
Article Number ESP4			Scale
Drawing Number 86-37-08 E			Revision (A)