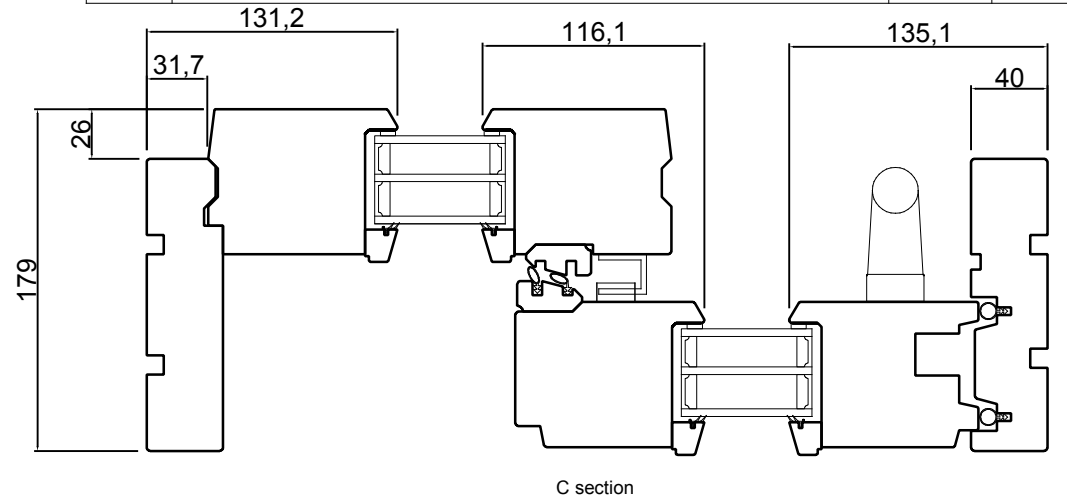
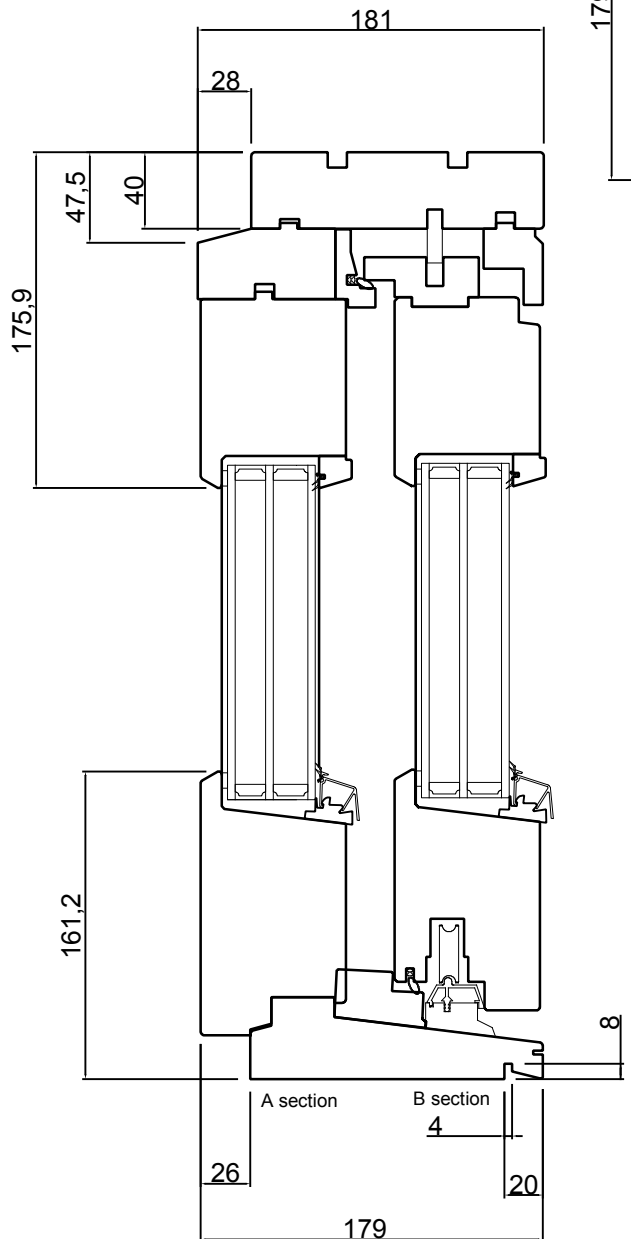
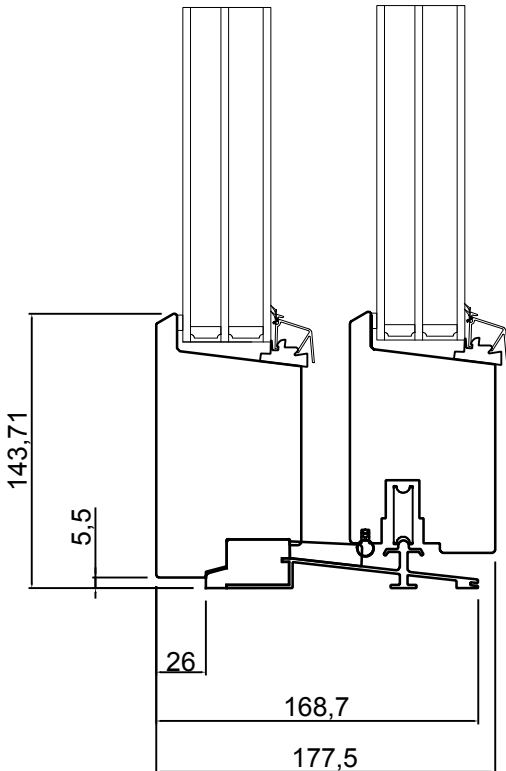
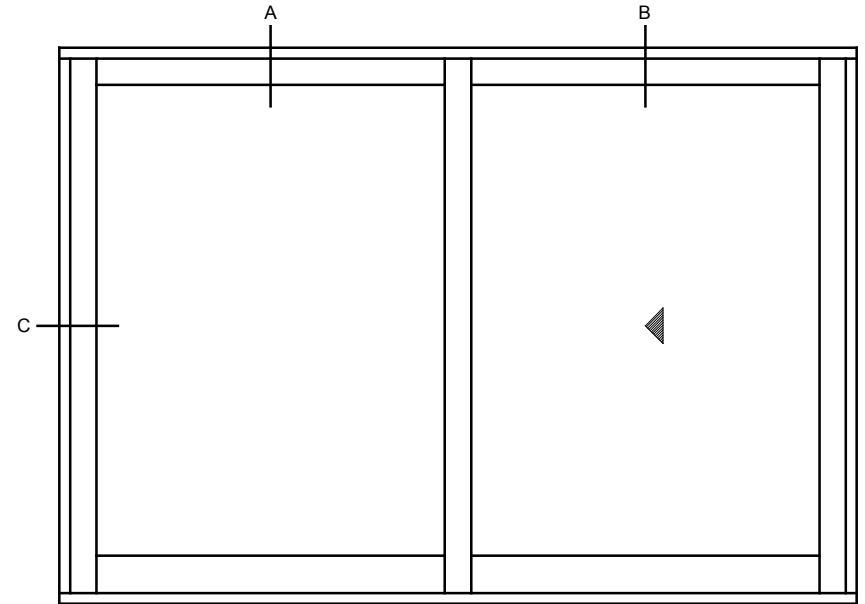


Rev	Description	Rev. by	Date



C section



Designed by SH	Designed date 2019-05-16	Product Category Door	Processing Code
Approved by	Approved date	Product Type Sliding	Material

	Elitfönster Skjutdörr Trä 1 Skjutbar del, 1 fast del Elitfönster Sliding Door Wood 1 Slidning part, 1 Fixed part	Tolerances unless otherwise specified	View orientation E
		Article Number ESP2	Scale
		Drawing Number 86-37-07 E	Revision (A)