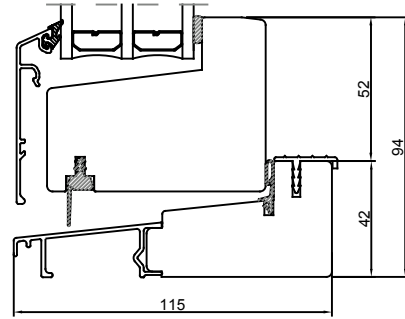
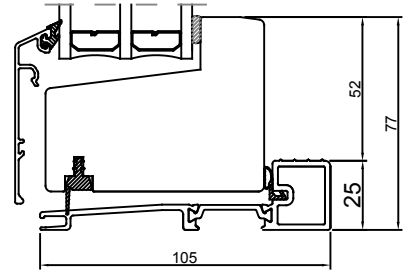
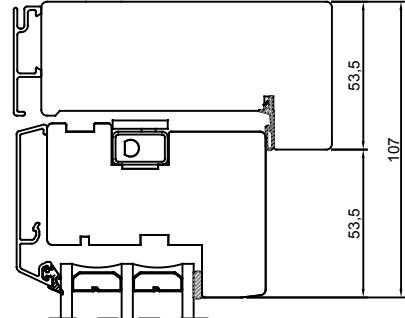
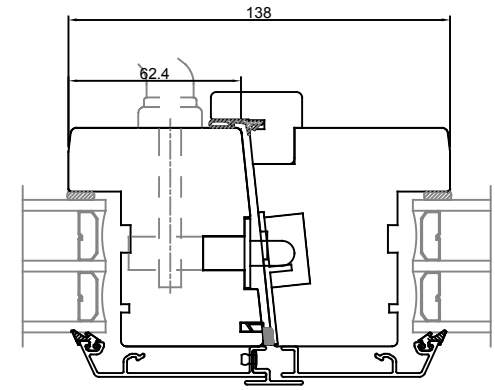
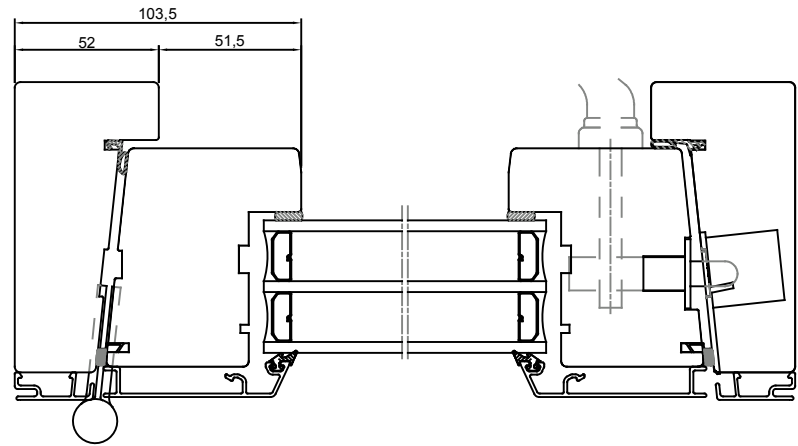


Rev	Description	Rev. by	Date



Designed by	Designed date	Product Category	Processing Code
	2016-03-30	Window Outward	
Approved by	Approved date	Product Type	Material
		Side Hung	
		Utåtgående smal, Dörr 2	Tolerances unless otherwise specified
		3-glas, alu	View orientation
		Outward narrow, Door 2	Scale
		3-glass, alu	1:1
		Article Number	Revision
		Drawing Number	(A)
		61-37-D206	

We reserve all rights in this document and in the information contained therein.
 Reproduction, use or disclosure to third parties without express authority is strictly forbidden.
 INWIDO