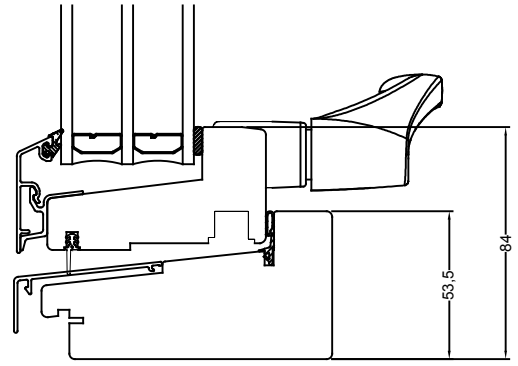
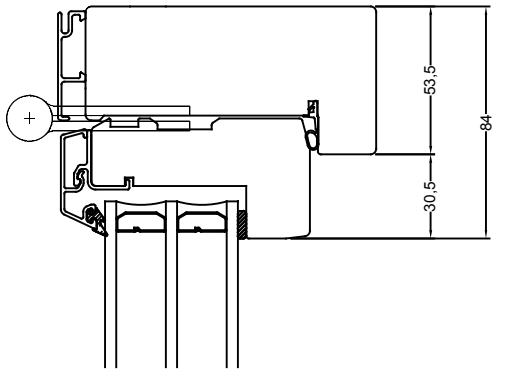
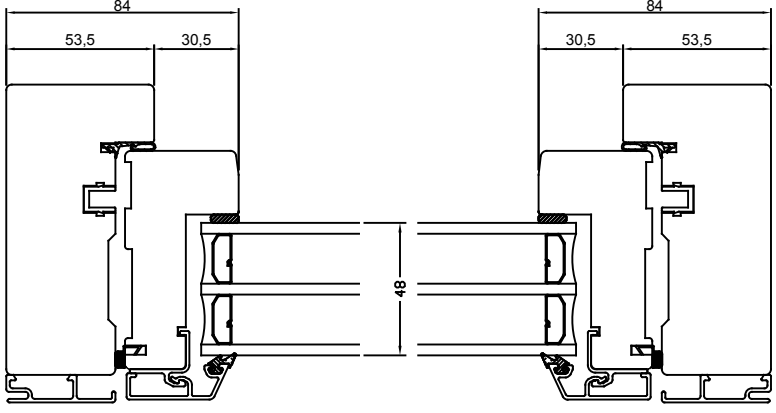


Rev	Description	Rev. by	Date



Designed by <b>HS</b>	Designed date <b>2018-01-09</b>	Product Category <b>Window Outward</b>	Processing Code
Approved by	Approved date	Product Type <b>Top Hung</b>	Material
		<b>Utåtgående smal, Överkantshängt</b> <b>3-glas, alu</b> <b>Outward narrow, Top Hung</b> <b>3-glass, alu</b>	Tolerances unless otherwise specified
		Article Number	View orientation 
		Drawing Number <b>61-37-O204</b>	Scale
		Revision <b>(A)</b>	Revision

We reserve all rights in this document and in the information contained therein.  
 Reproduction, use or disclosure to third parties without express authority is strictly forbidden.  
 INWIDO