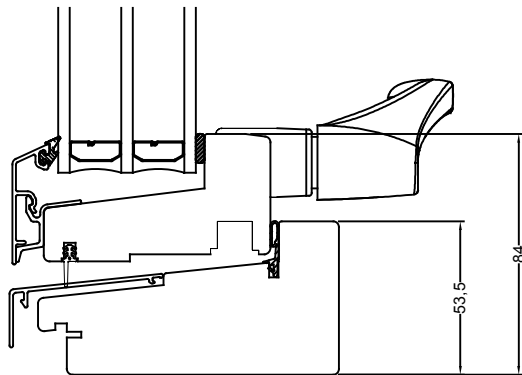
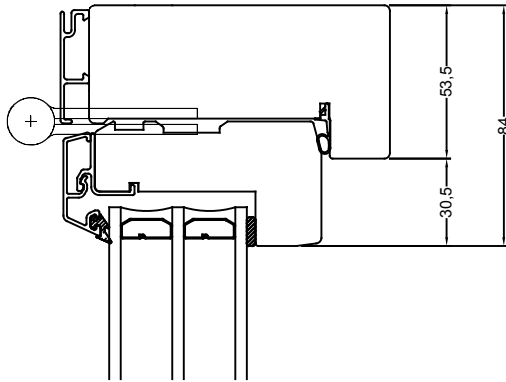
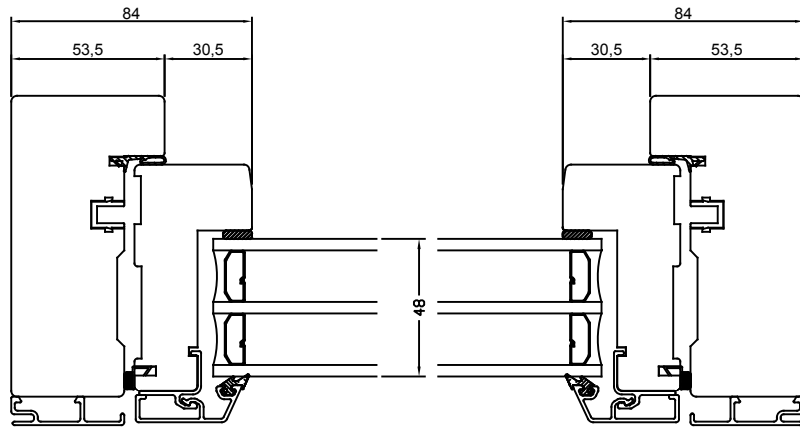

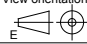


Rev	Description	Rev. by	Date



Designed by <b>SH</b>	Designed date <b>2019-05-15</b>	Product Category <b>Window Outward</b>	Processing Code
Approved by	Approved date	Product Type <b>Top Hung</b>	Material
	<b>Utåtgående smal, Överkantshängt</b> <b>3-glas, alu</b> <b>Outward narrow, Top Hung</b> <b>3-glass, alu</b>		Tolerances unless otherwise specified View orientation 
			Article Number Scale
			Drawing Number <b>61-37-O204 E</b>