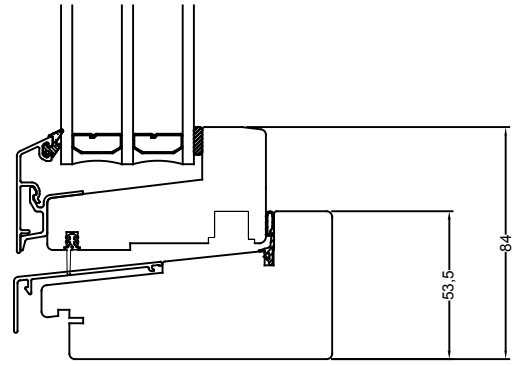
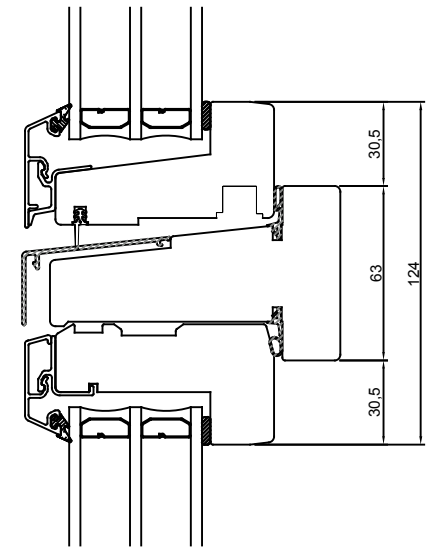
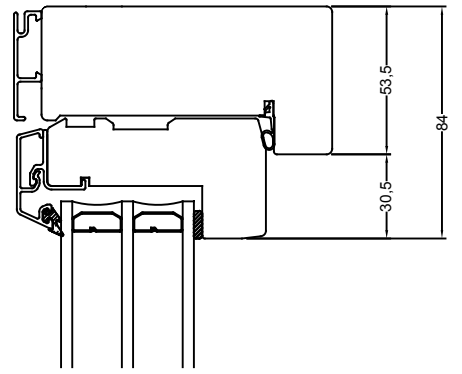
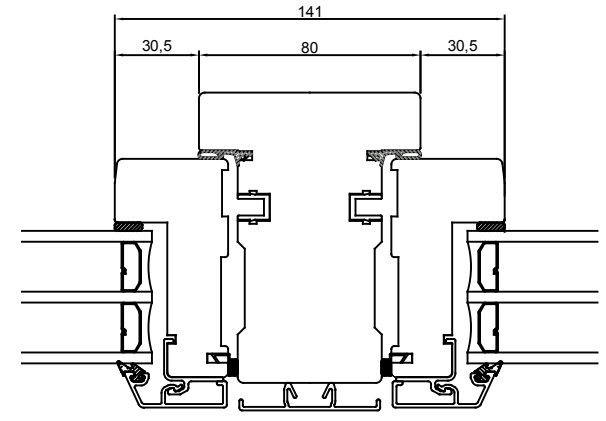
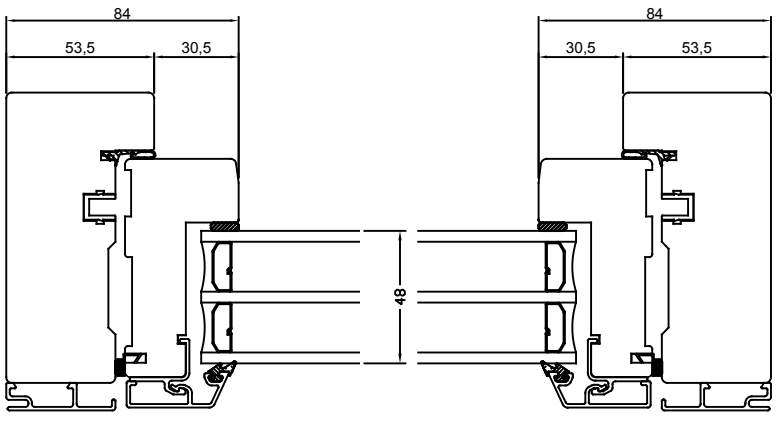


Rev	Description	Rev. by	Date



Designed by <b>HS</b>	Designed date <b>2018-04-10</b>	Product Category <b>Window Outward</b>	Processing Code
Approved by	Approved date	Product Type	Material
		Utåtgående smal, Blindbåge 3-glas, alu Outward narrow, Fixed 3-glass, alu	Tolerances unless otherwise specified
		Article Number	View orientation 
		Drawing Number <b>61-37-V209</b>	Scale <b>(A)</b>

We reserve all rights in this document and in the information contained therein.  
 Reproduction, use or disclosure to third parties without express authority is strictly forbidden.  
 INWIDO