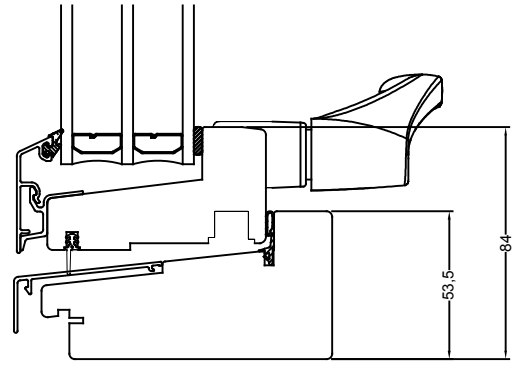
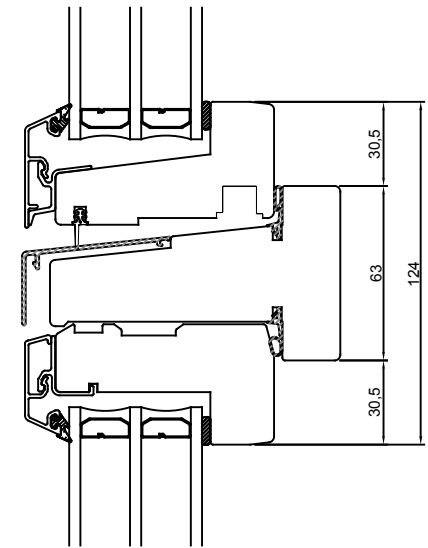
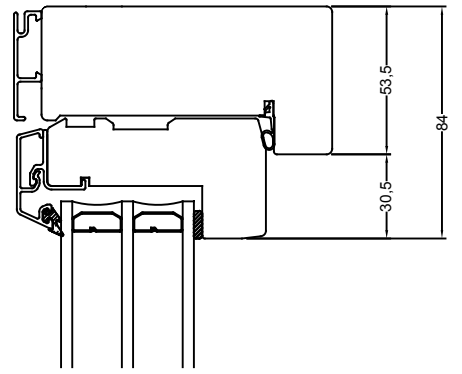
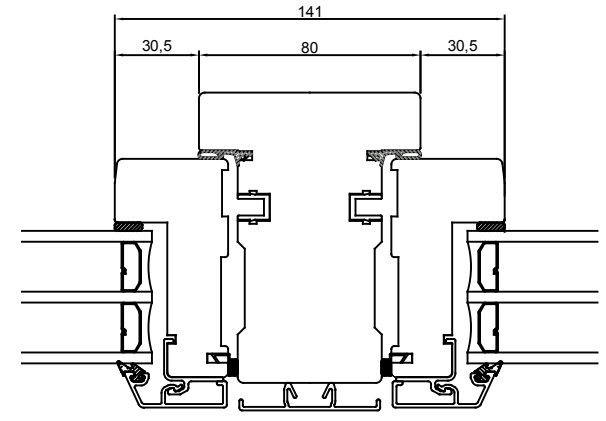
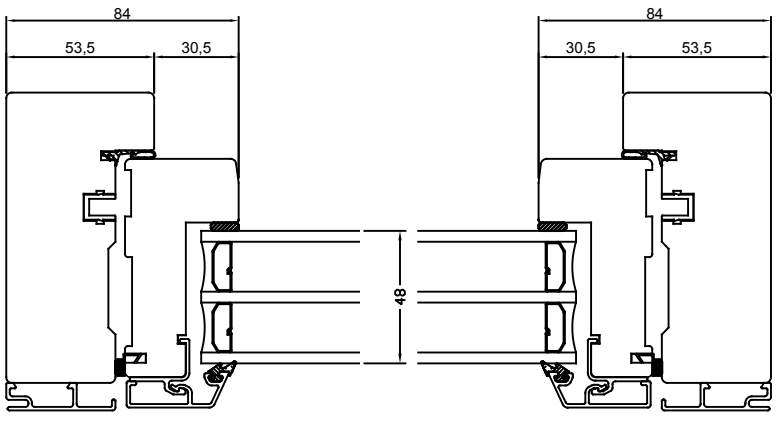


Rev	Description	Rev. by	Date



Designed by HS	Designed date 2016-03-30	Product Category Window Outward	Processing Code
Approved by	Approved date	Product Type Top Swing	Material
		Utåtgående smal, Vrid 3-glas, alu	Tolerances unless otherwise specified
		Outward narrow, Top Swing 3-glass, alu	View orientation
		Article Number	Scale
		Drawing Number 61-37-V206	Revision (A)

We reserve all rights in this document and in the information contained therein.
 Reproduction, use or disclosure to third parties without express authority is strictly forbidden.
 INWIDO