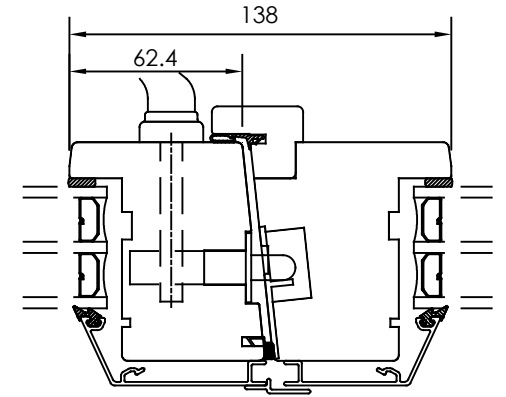
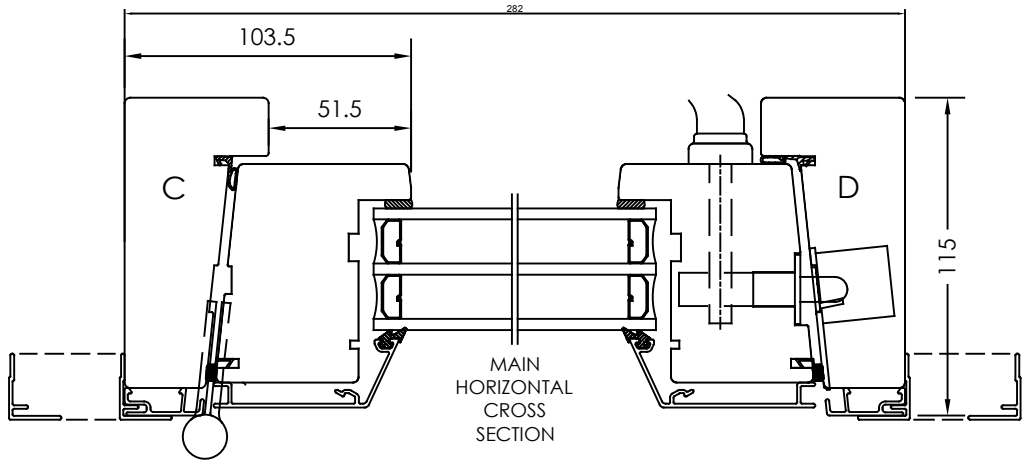
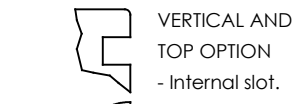
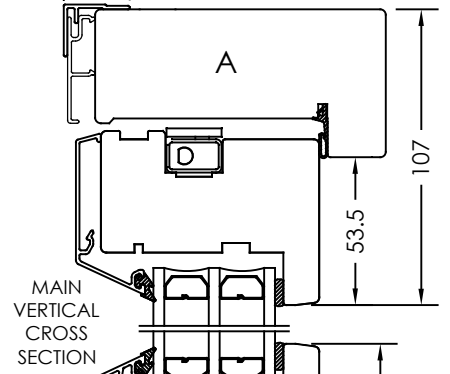


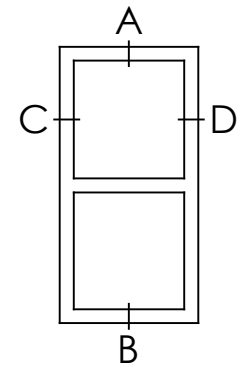
Rev	Description	Rev. by	Date



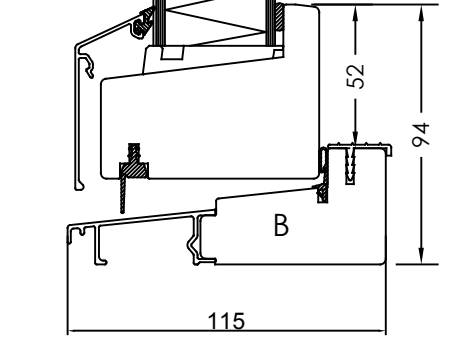
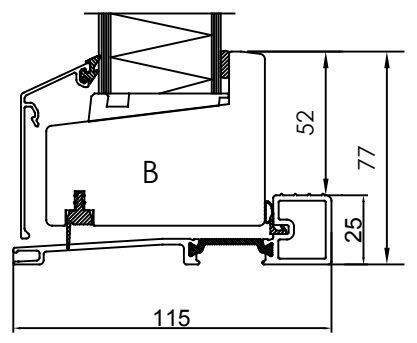
VERTICAL AND TOP OPTION
- Profile for plastered fasades.
Frame depth 117mm.



CS = CROSS SECTION



VERTICAL CS OPTION
- Low handicap threshold.



Designed by JB	Designed date 2015-08-27	Product Category Window Outward	Processing Code
Approved by JB	Approved date 2017-03-05	Product Type Side Hung	Material
		Dörr 3-glas, Alu Door 3-glass, Alu	Tolerances unless otherwise specified
		Article Number	View orientation
		Drawing Number 61-37-D201	Scale Revision A

We reserve all rights in this document and in the information contained therein. Reproduction, use or disclosure to third parties without express authority is strictly forbidden. INWIDO