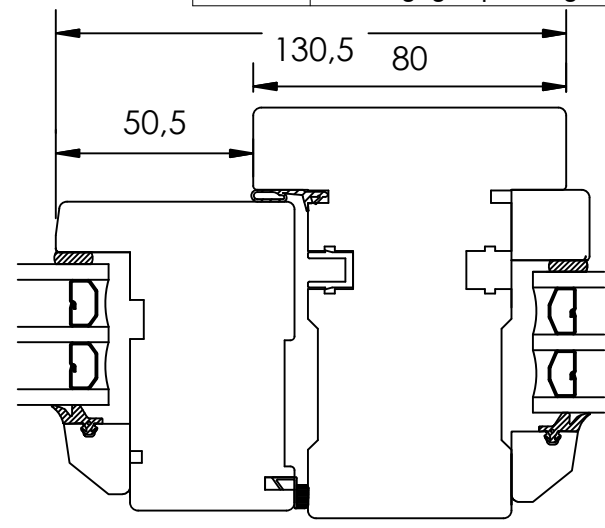
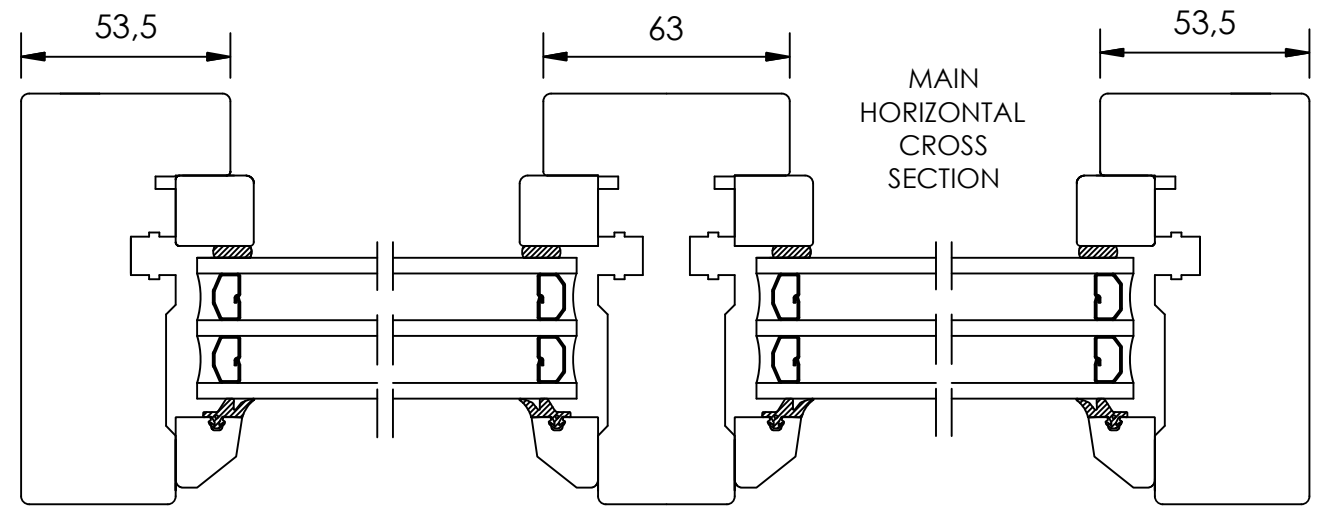
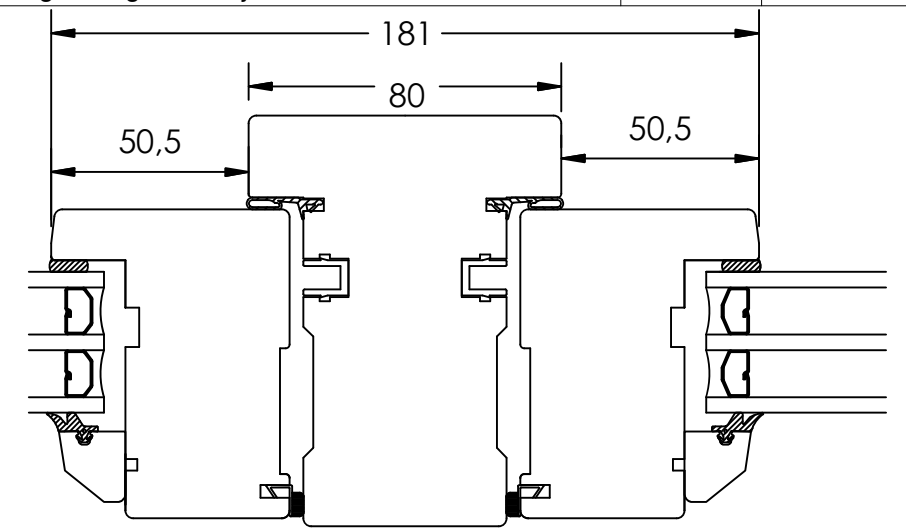


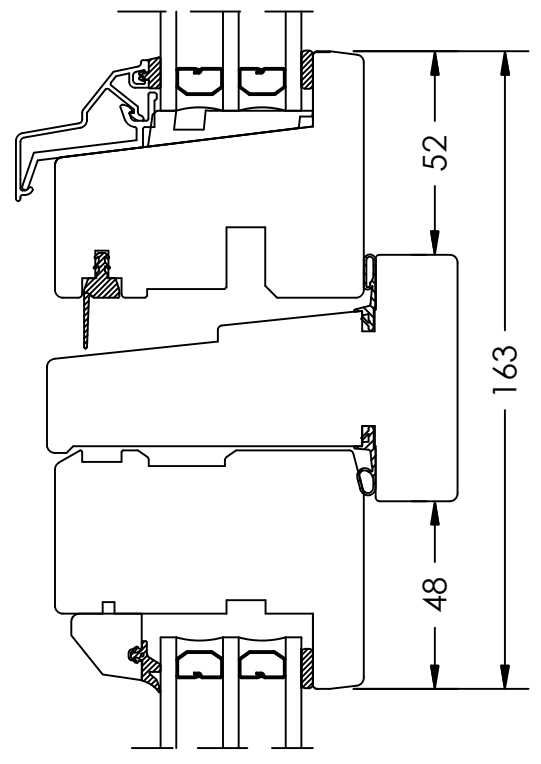
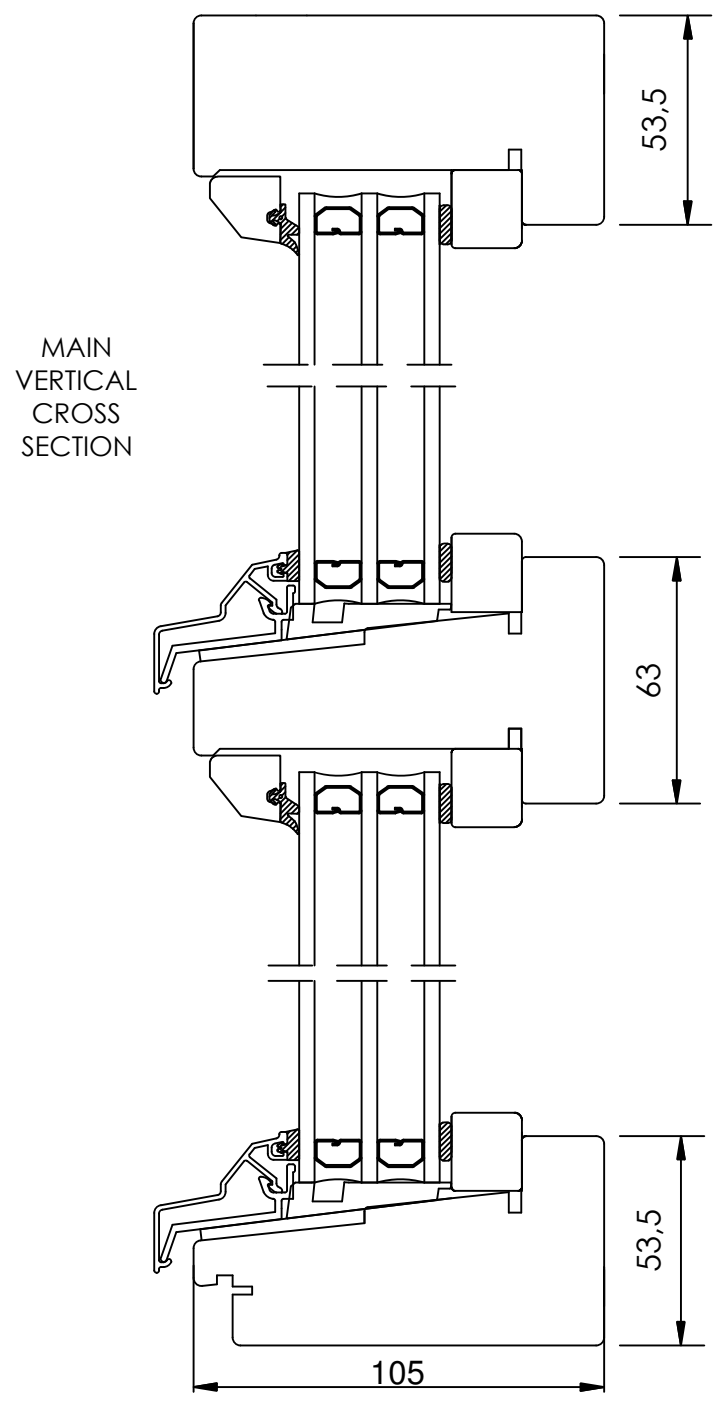
Rev	Description	Rev. by	Date
B	Felaktigt glaspaket, glaslist och glasningsskena, justerat till rätt.		2017-02-06



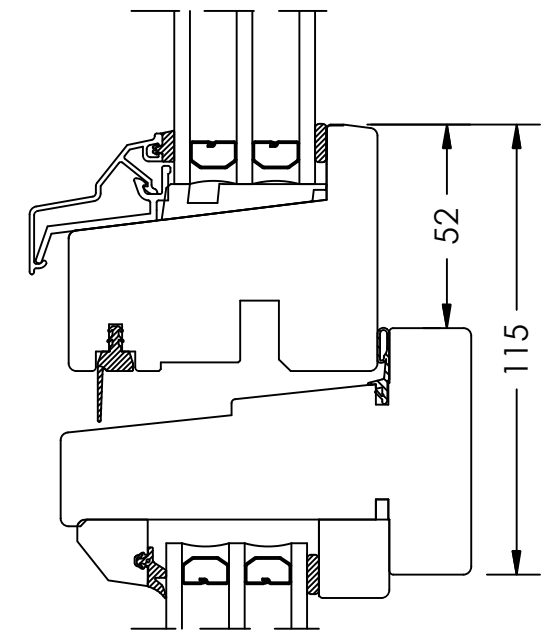
HORIZONTAL CS OPTION
- One glass in sash with vertical glide fittings and one glass in frame.



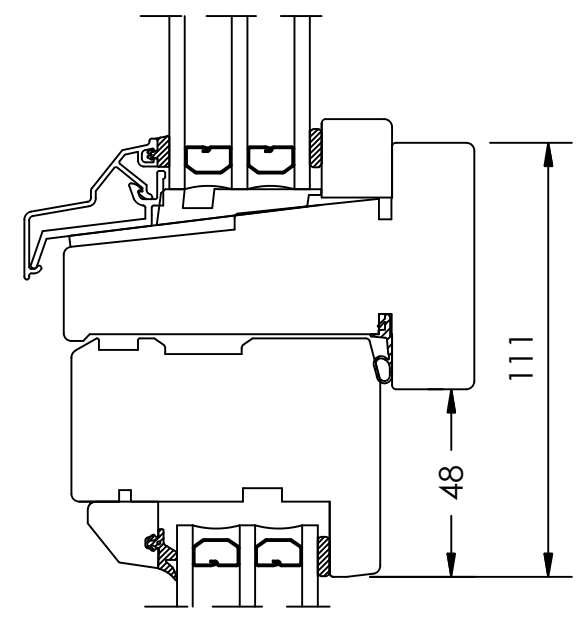
HORIZONTAL CS OPTION
- Two horizontal sashes with middle post.



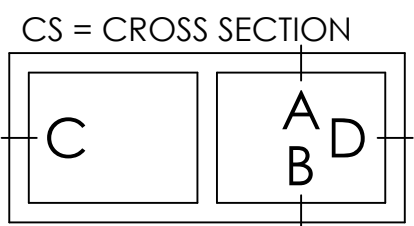
VERTICAL CS OPTION
- Top and bottom glass in sash with vertical glide fittings and a middle post inbetween.



VERTICAL CS OPTION
- Top glass in sash with vertical glide fittings and bottom glass in frame.



VERTICAL CS OPTION
- Top glass in fixed frame and bottom glass in sash with vertical glide fittings and a middle post inbetween.



Designed by SH	Designed date 2016-11-21	Product Category Window Outward	Processing Code
Approved by JB	Approved date 2017-02-09	Product Type Combination	Material
		Kombination, Vrid/Fast karm	Tolerances unless otherwise specified ISO 2768-1 m
		3-glas Combination, Top swing/Fixed 3-glass	View orientation Scale 1:1
			Article Number
			Drawing Number 61-37-C001
			Revision B

We reserve all rights in this document and in the information contained therein. Reproduction, use or disclosure to third parties without express authority is strictly forbidden. INWIDO