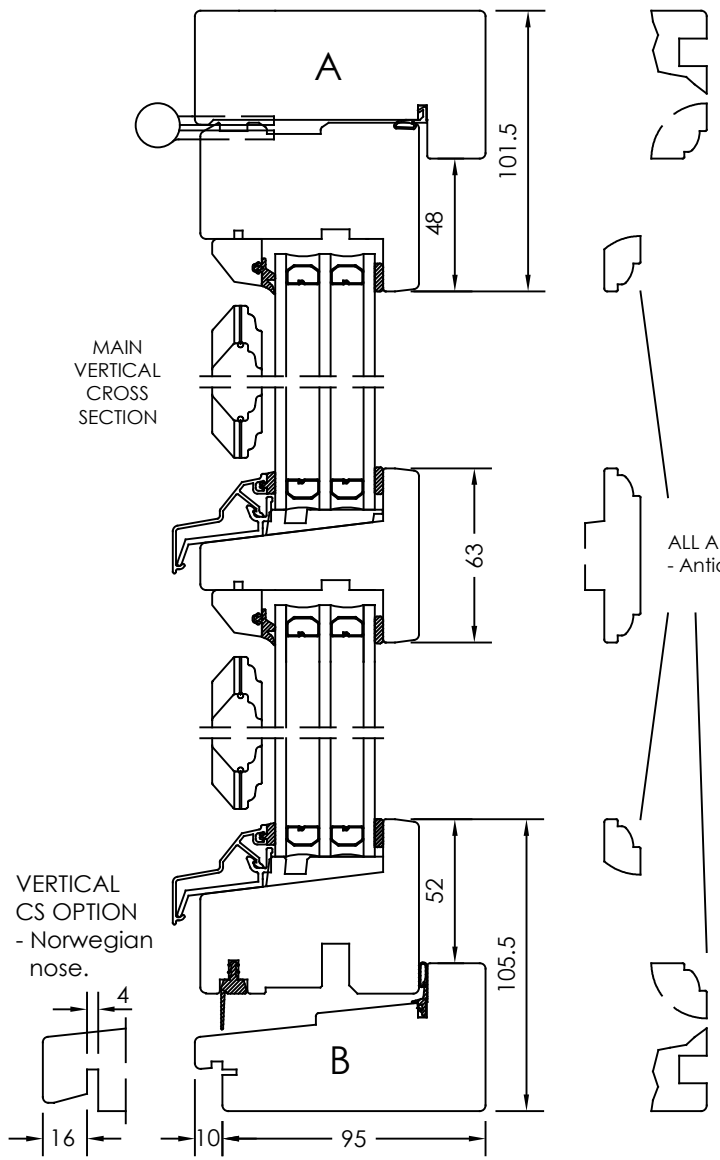


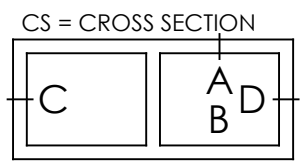
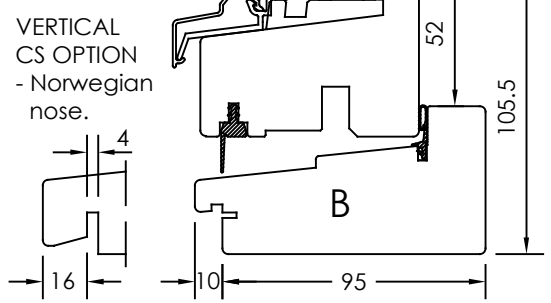
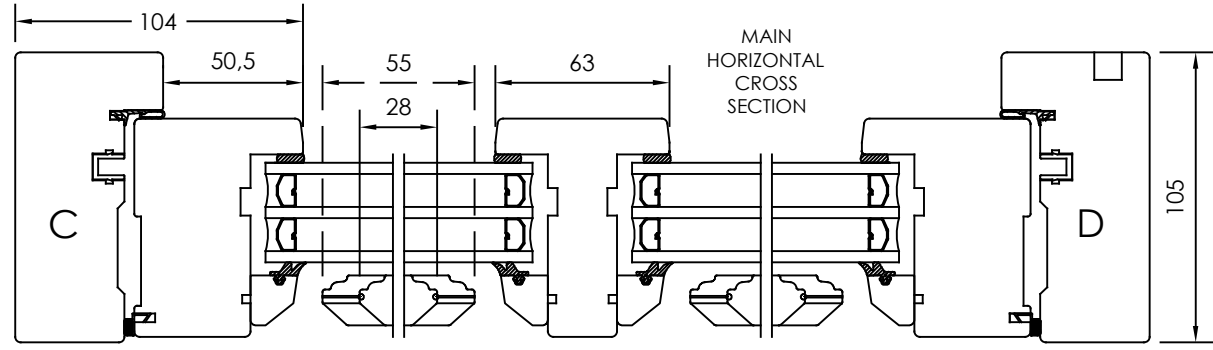
Rev	Description	Rev. by	Date



ALL AROUND OPTION
- Internal slot.



ALL AROUND OPTION
- Antique internal design.



Designed by SH	Designed date 2016-02-04	Product Category Window Outward	Processing Code
Approved by JB	Approved date 2017-02-20	Product Type Top Hung	Material
		Överkantshängt 3-glas, glaslist 1 Top hung 3-glass,glazing bead 1	Tolerances unless otherwise specified ISO 2768-1 m Article Number Scale 1:1
		Drawing Number 61-37-O001	View orientation Revision A

We reserve all rights in this document and in the information contained therein.
 Reproduction, use or disclosure to third parties without express authority is strictly forbidden.
 INWIDO