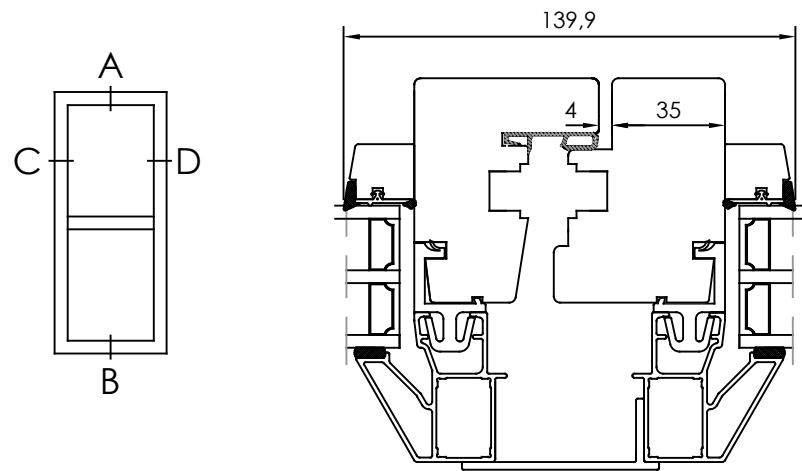


Upphovsrätten till detta dokument och alla bilagor omfattas till mottagaren personligen, den får inte offentliggöras eller på annat sätt reproduceras detta dokument till tredje part utan skriftligt tillstånd är strängt förbehållet.

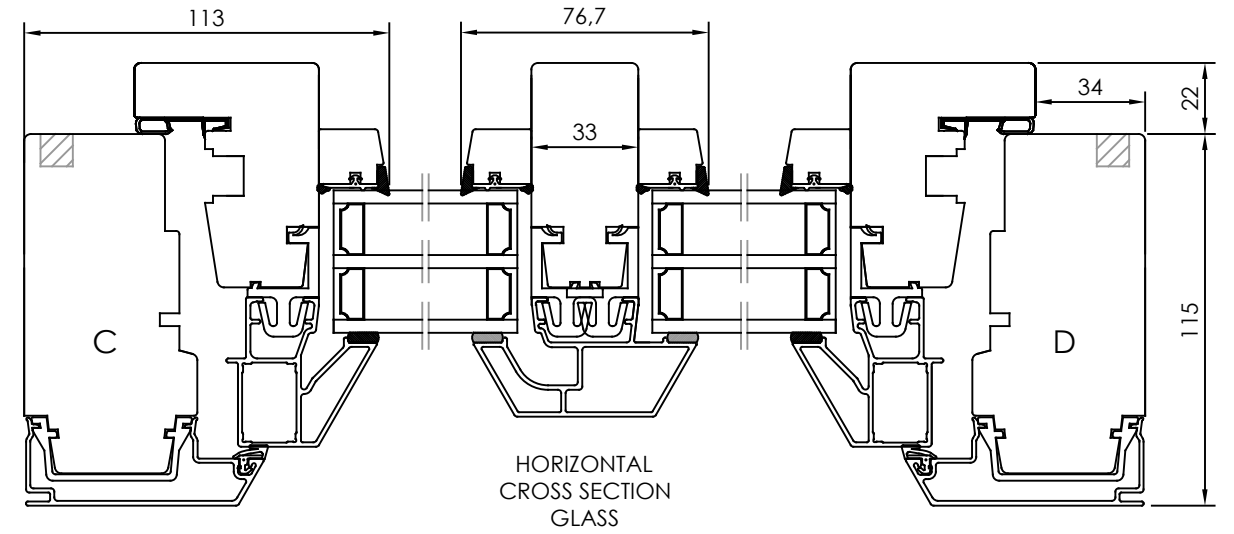


HORIZONTAL CS OPTION  
- Two horizontal abutting sashes.

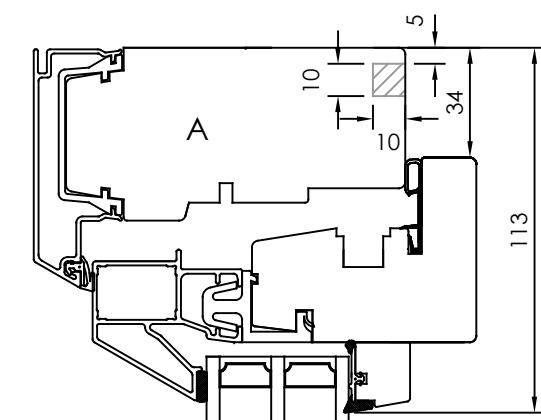
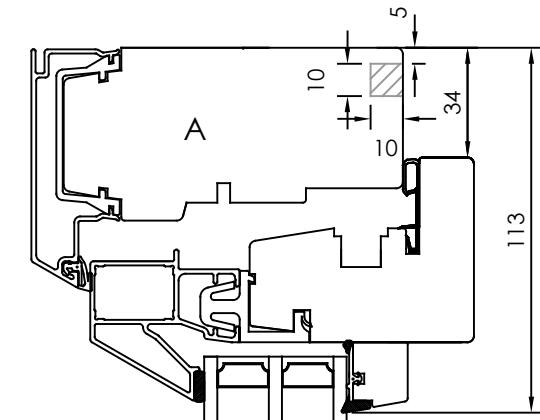
VARIANT, FITTINGS  
- Exterior hinges.  
- Exterior tilt before turn hinges (kipp-dreh).  
- Internal hidden tilt before turn hinges (kipp-dreh).

ALL AROUND OPTION  
- Internal slot (not for exterior kipp-dreh).

ALL AROUND OPTION  
- Internal slot (not for exterior kipp-dreh).

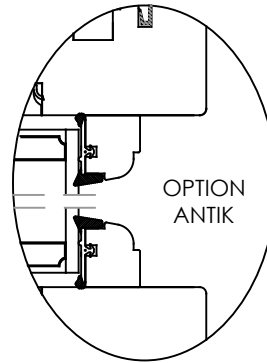


HORIZONTAL CROSS SECTION GLASS

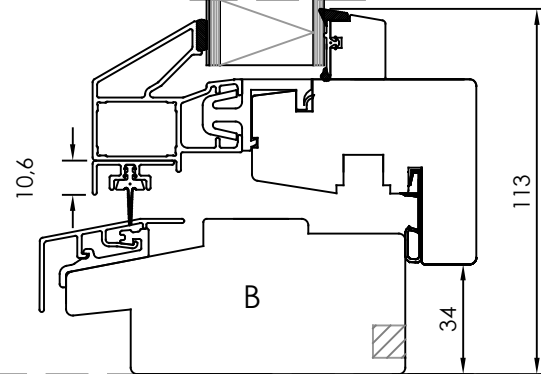
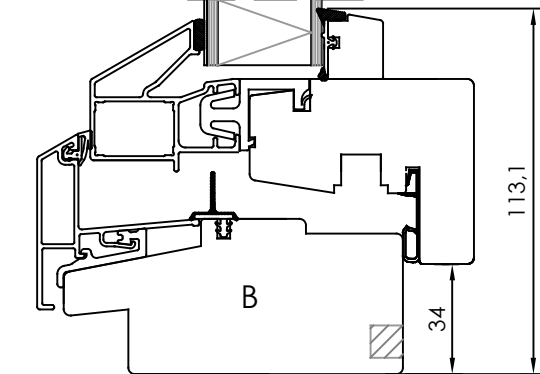


MAIN VERTICAL CROSS SECTION

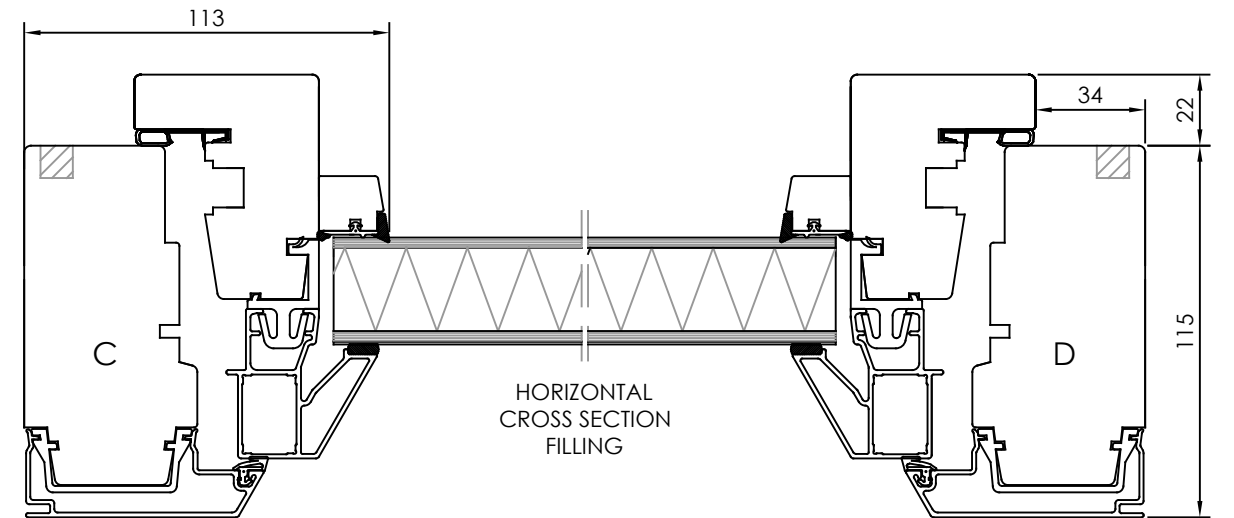
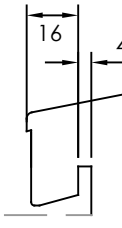
MAIN VERTICAL CROSS SECTION



OPTION ANTIK

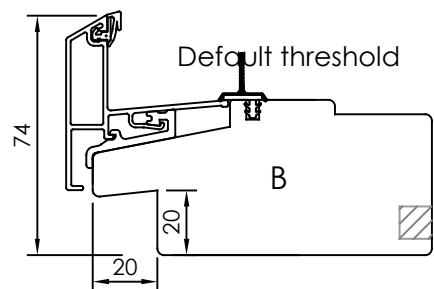


VERTICAL CS OPTION  
- Norwegian nose.

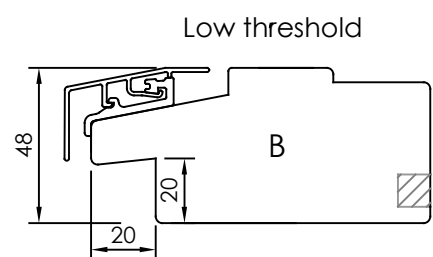


HORIZONTAL CROSS SECTION FILLING

CS = CROSS SECTION



Default threshold

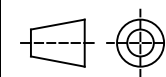


Low threshold

Item	No.	Description	Drawingnumber	Articlenumber
Revision notification			Revised by	Revised date
AM40-20161109TE			TE	2016-11-30
Revision description				
Glasningslister trä/gummi utbytta				
Description			Created by	Created date
Patio door, Inward opening, 3-glass.			AP	2015-06-16
Material		General tolerance acc. to ISO2768-1		Processing code
Included in product		Included in product family		Article number
Inward		Side Hung + Tilt & Turn		

**INWIDO**  
Great Windows & Doors

Draw view



Scale

1:1

Size

A3

Drawing number

40-37-W43

Revision no.

C