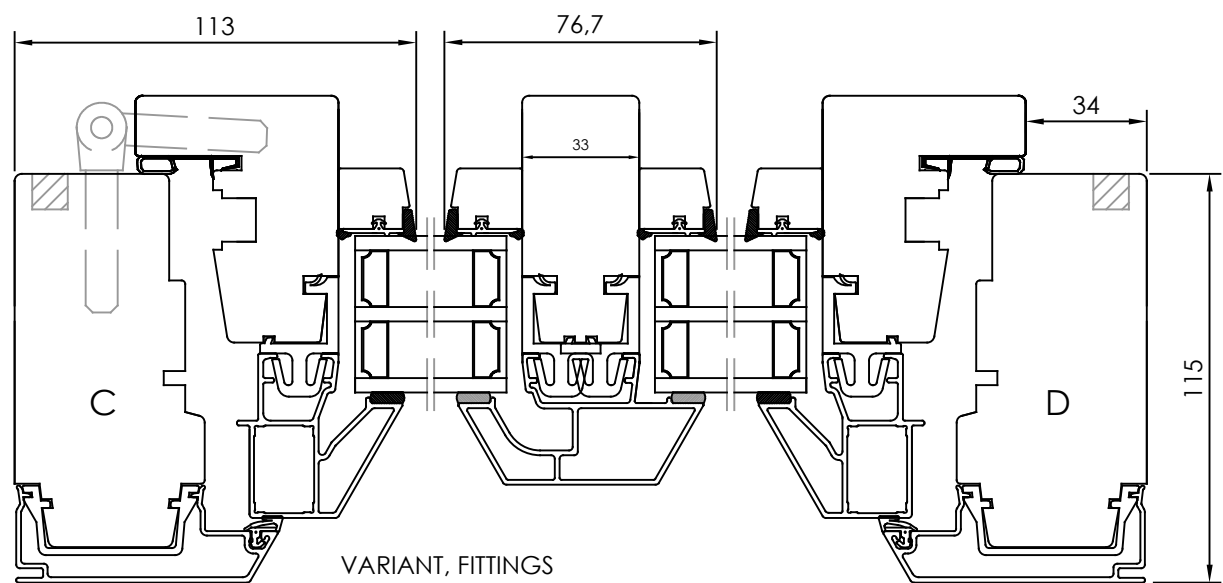


Upphovsrätten till detta dokument och alla bilagor omfattas till mottagaren personligen, den förblir alltid Inwido AB:s (556433-3828) egendom. Att kopiera eller på annat sätt reproducera detta dokument till tredje part utan skriftligt tillstånd är strängt förbjudet.

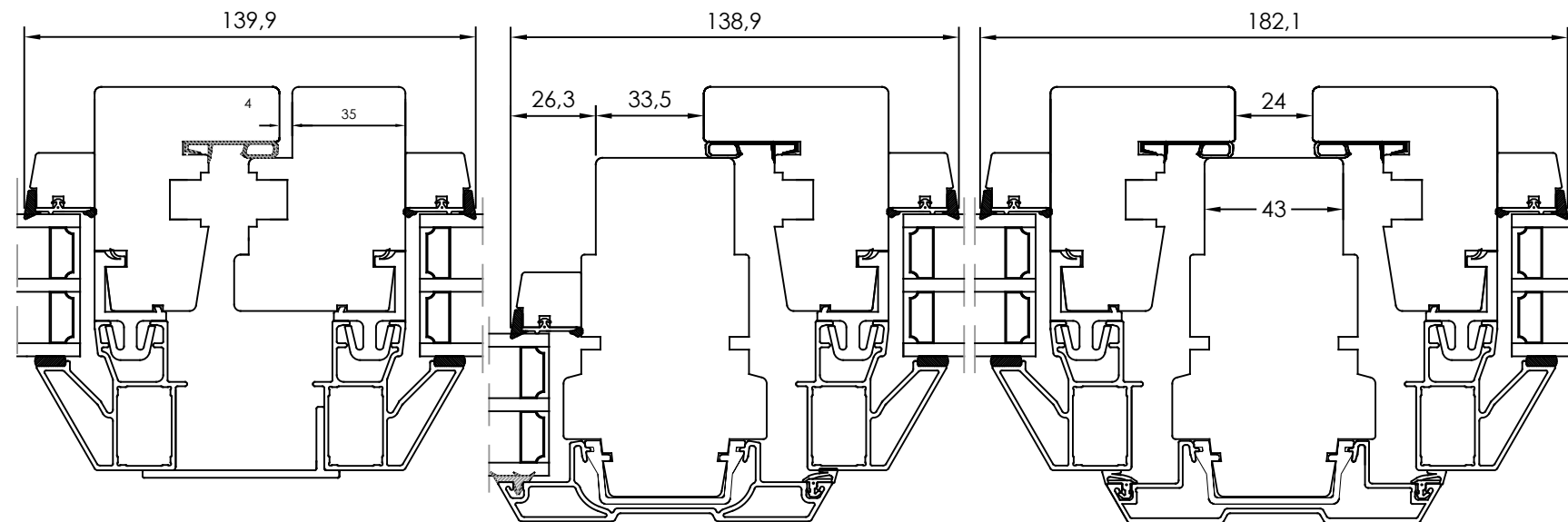


VARIANT, FITTINGS

- Exterior hinges.
- Exterior tilt before turn hinges (kipp-dreh).
- Internal hidden tilt before turn hinges (kipp-dreh).

ALL AROUND OPTION

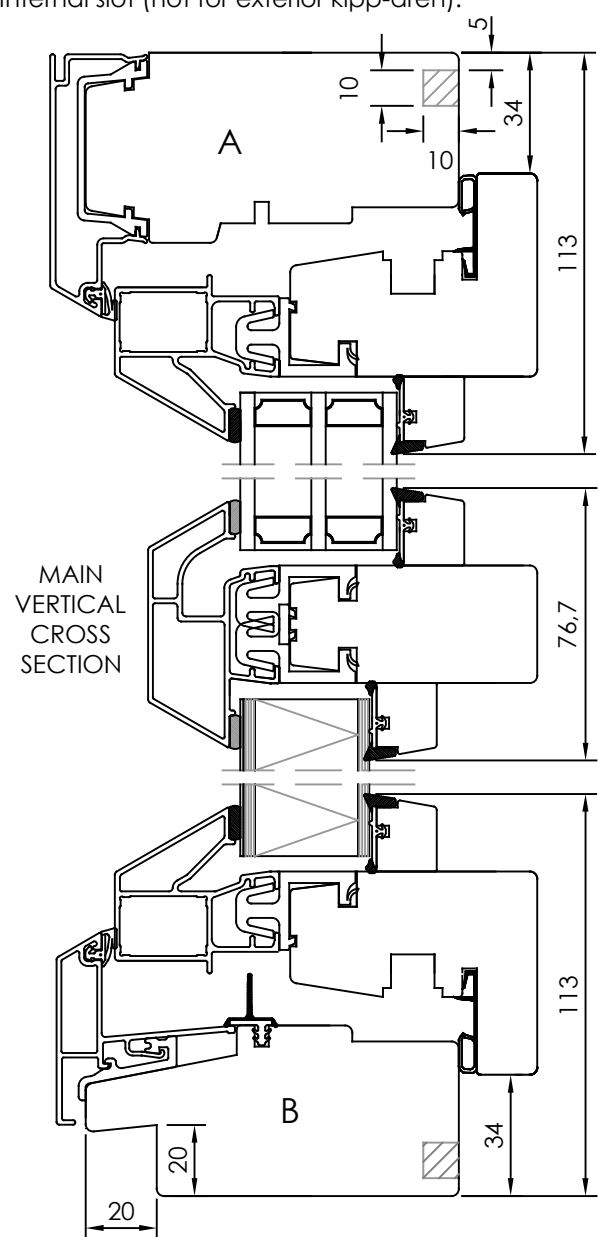
- Internal slot (not for exterior kipp-dreh).



HORIZONTAL CS OPTION
- Two horizontal abutting sashes.

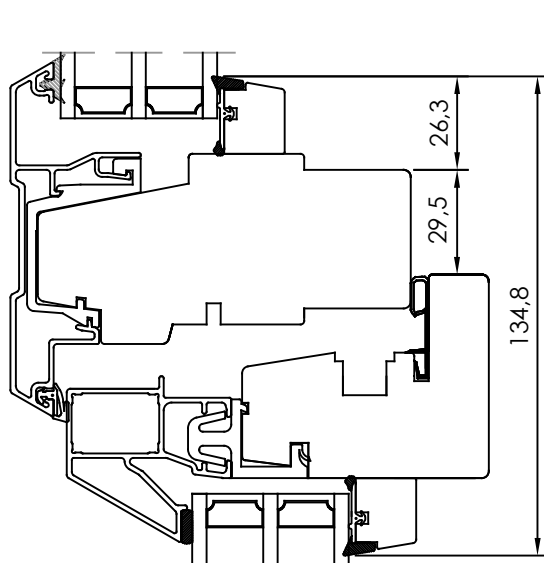
HORIZONTAL CS OPTION
- One glass in fixed frame, the other in sash with side hung fittings and kipp-dreh function.

HORIZONTAL CS OPTION
- Two horizontal sashes with middle post.

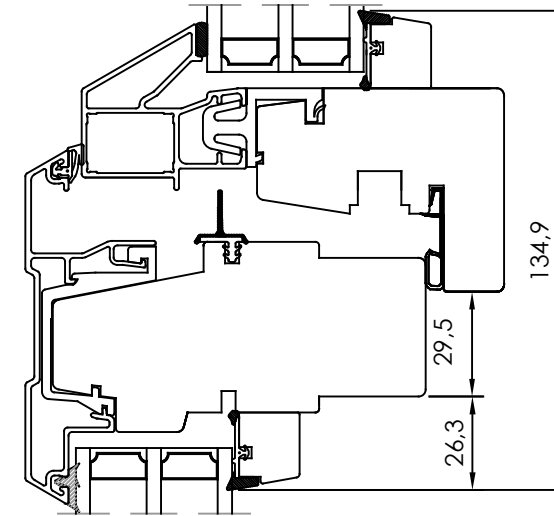


MAIN VERTICAL CROSS SECTION

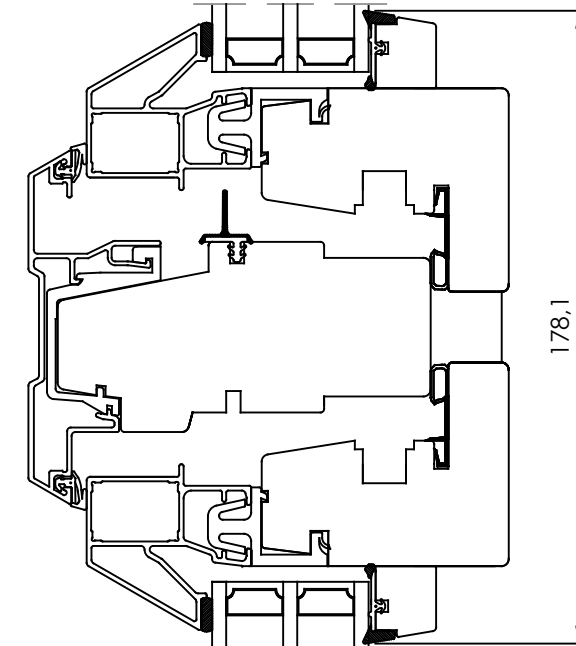
OPTION ANTIK



VERTICAL CS OPTION
- Top glass in frame and bottom glass in sash with side hung fittings and kipp-dreh function.

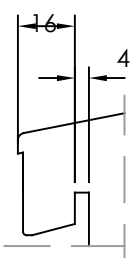


VERTICAL CS OPTION
- Top glass in sash with side hung fittings and kipp-dreh function, bottom glass in frame.

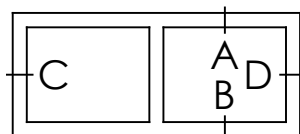


VERTICAL CS OPTION
- Top and bottom glass in sash with side hung fittings and kipp-dreh function, a middle post inbetween.

VERTICAL CS OPTION
- Norwegian nose.

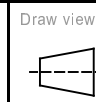


CS = CROSS SECTION



Item	No.	Description	Drawingnumber	Articlenumber
Revision notification			Revised by	Revised date
AM40-20161109TE			TE	2016-11-25
Revision description				
Description			Created by	Created date
Window, Inward opening 3-glass.			AP	2015-06-16
Material		General tolerance acc. to ISO2768-1		Processing code
Included in product		Included in product family		Article number
Inward		Side Hung + Tilt & Turn		

INWIDO
Great Windows & Doors



Scale 1:1

Size A3

Drawing number 40-37-W42

Revision no. C