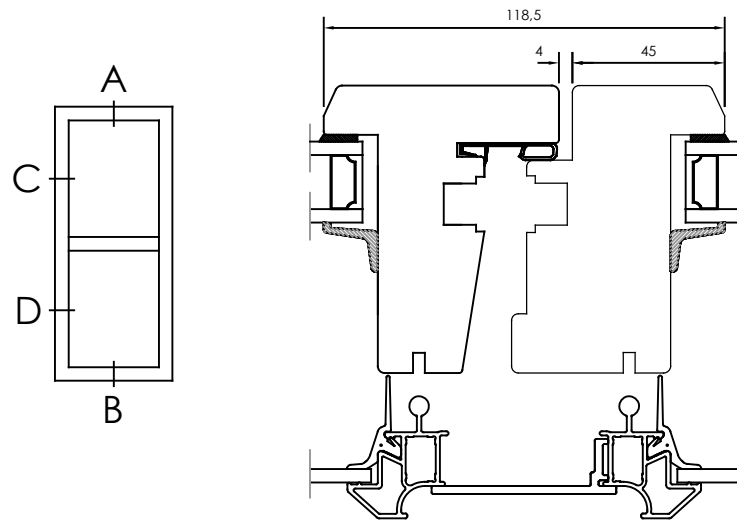
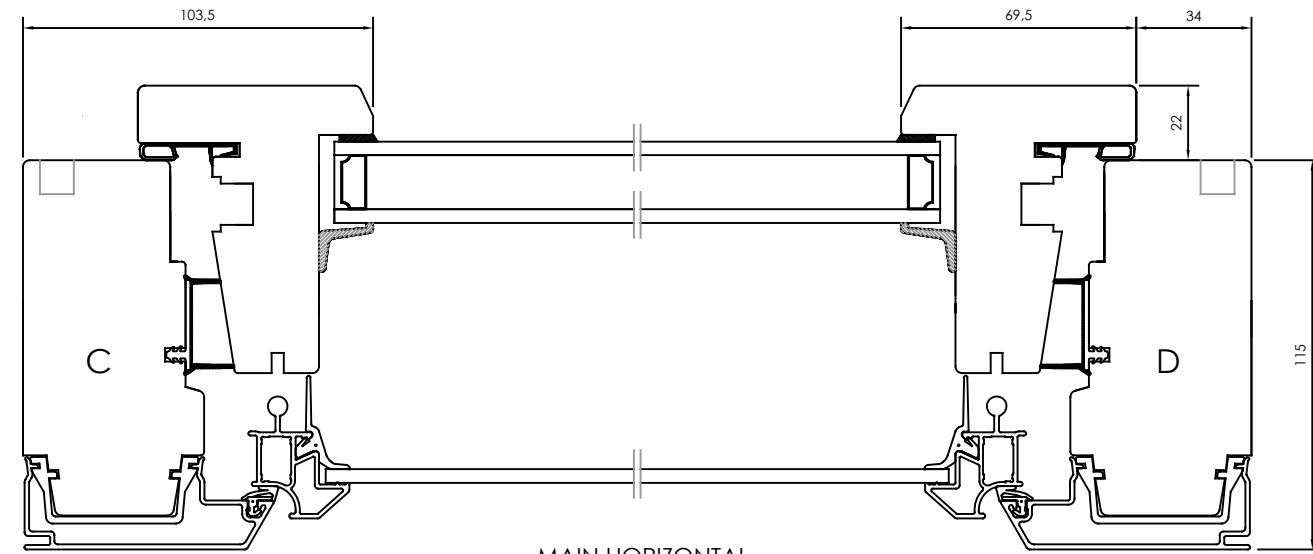


Upphovsrätten till detta dokument och alla bilder omfattas till mottagaren personligen, den förblir alltid Inwido AB:s (556633-3828) egendom. Allt kopiera eller på annat sätt reproducera detta dokument till tredje part utan skriftligt tillstånd är strängt förbjudet.



HORIZONTAL CS OPTION
- Two horizontal abutting sashes.

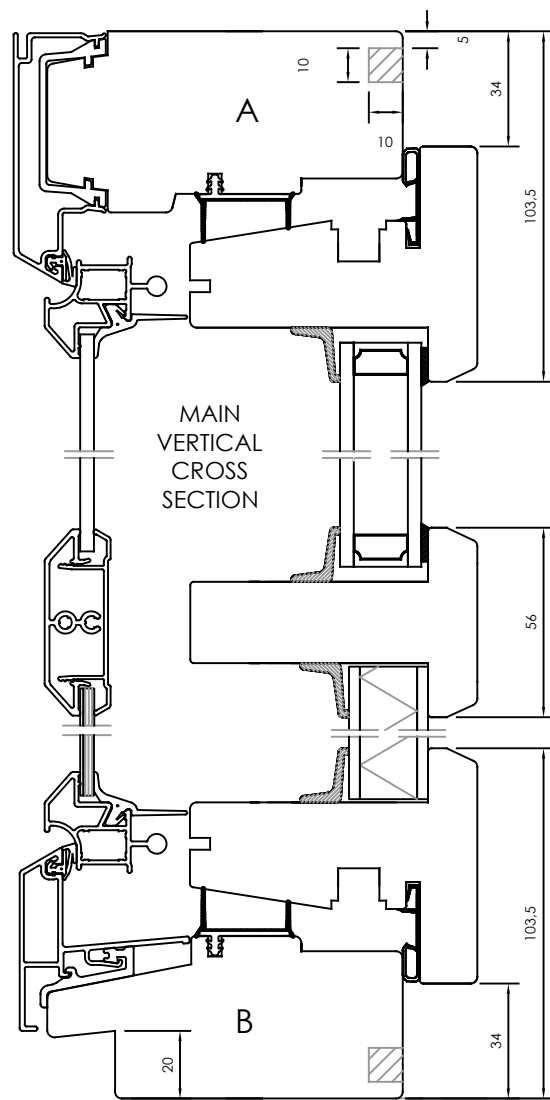
VARIANT, FITTINGS
- Exterior hinges.
- Exterior tilt before turn hinges (kipp-dreh).
- Internal hidden tilt before turn hinges (kipp-dreh).



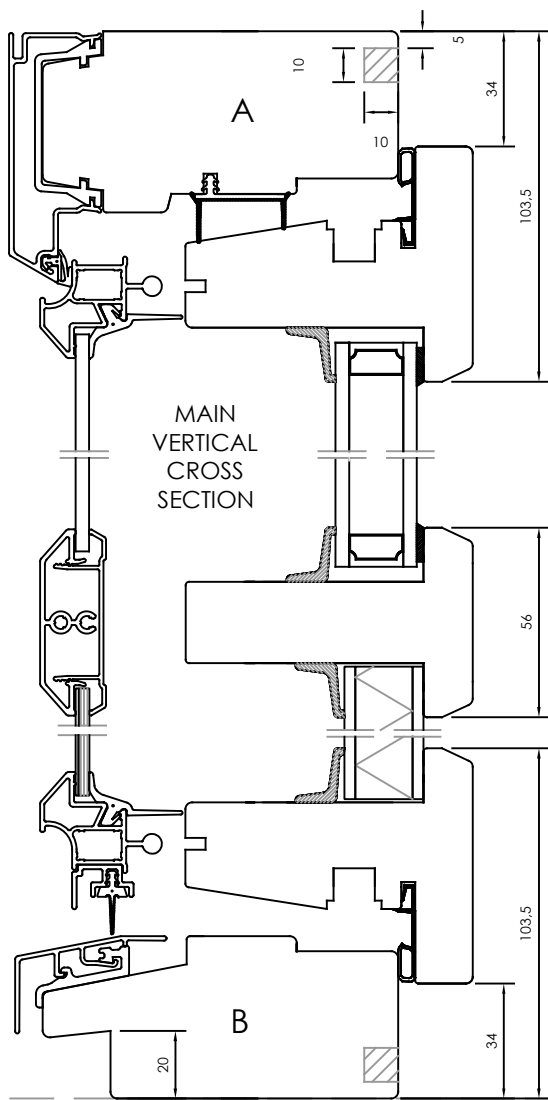
MAIN HORIZONTAL CROSS SECTION

ALL AROUND OPTION
- Internal slot (not for exterior kipp-dreh).

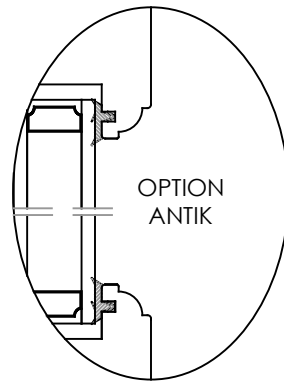
ALL AROUND OPTION
- Internal slot (not for exterior kipp-dreh).



MAIN VERTICAL CROSS SECTION

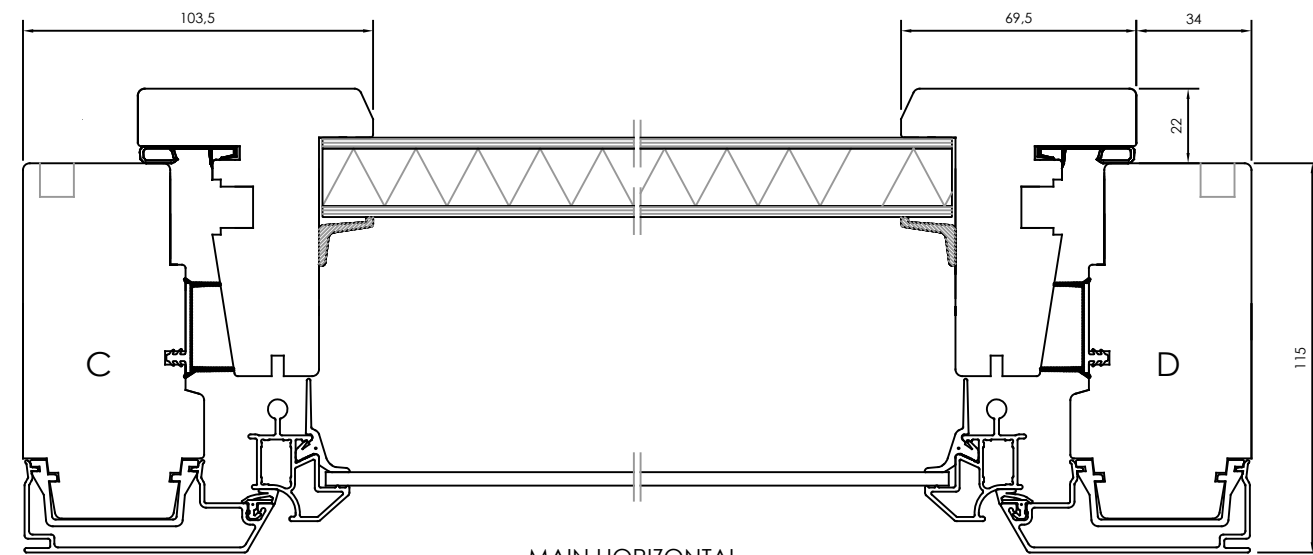
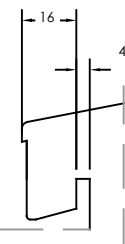


MAIN VERTICAL CROSS SECTION



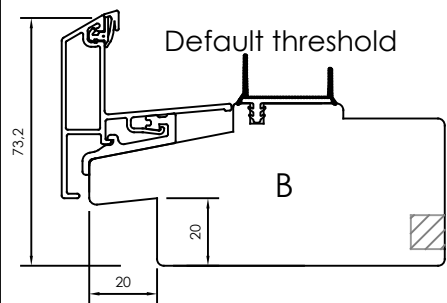
OPTION ANTIK

VERTICAL CS OPTION
- Norwegian nose.

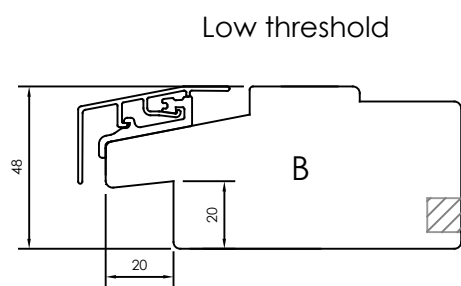


MAIN HORIZONTAL CROSS SECTION

CS = CROSS SECTION



Default threshold

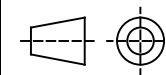


Low threshold

Item	No.	Description	Drawingnumber	Articlenumber
Revision notification			Revised by	Revised date
AM40-20170327TE			TE	2017-07-07
Revision description		Ytterbåge 376315 utbytt till 378892. Ny glas/dammlist ytterbåge.		
Description			Created by	Created date
Patio door, Inward opening, coupled 2+1 U-value 0,8			AP	2015-08-26
Material		General tolerance acc. to ISO2768-1		Processing code
Included in product		Included in product family		Article number
Window Inward		Side Hung + Tilt & Turn		

INWIDO
Great Windows & Doors

Draw view



Scale

1:1

Size

A3

Drawing number

40-37-W45

Revision no.

E