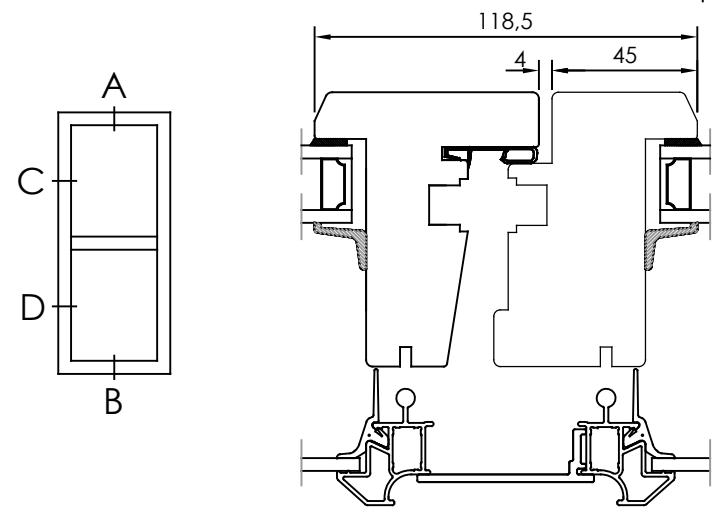


Upphovsrätten till detta dokument och alla bilder omfattas till mottagaren personligen, den får bli offentlig Inwido AB:s (556433-3828) egendom. Allt kopiera eller på annat sätt reproducera detta dokument till tredje part utan skriftligt tillstånd är strängt förbjudet.

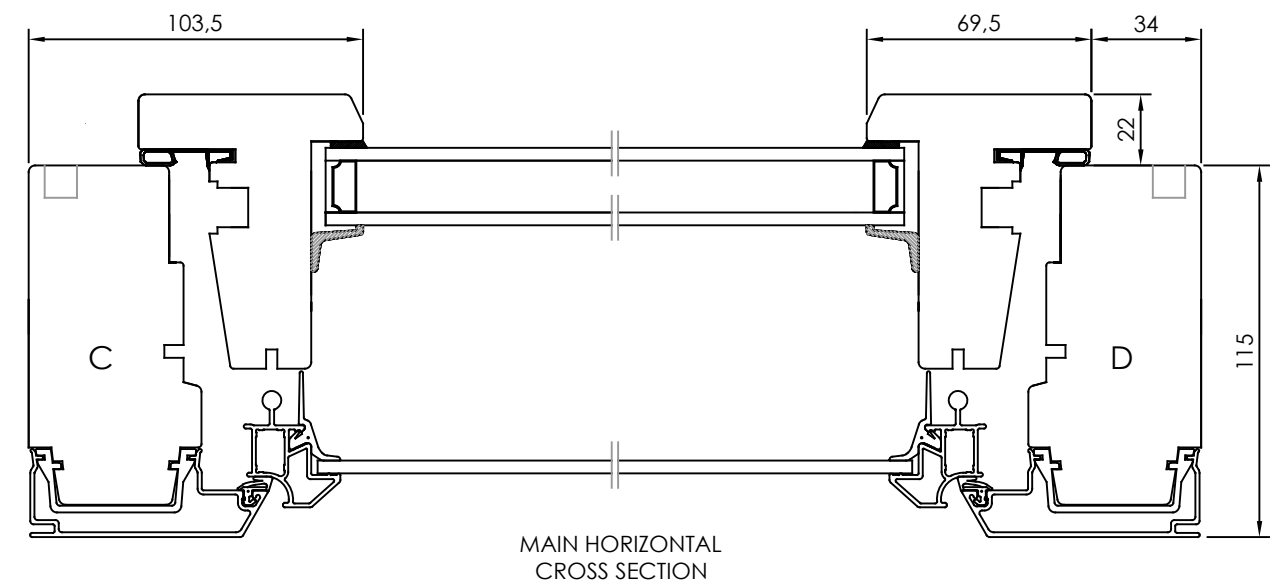


HORIZONTAL CS OPTION
- Two horizontal abutting sashes.

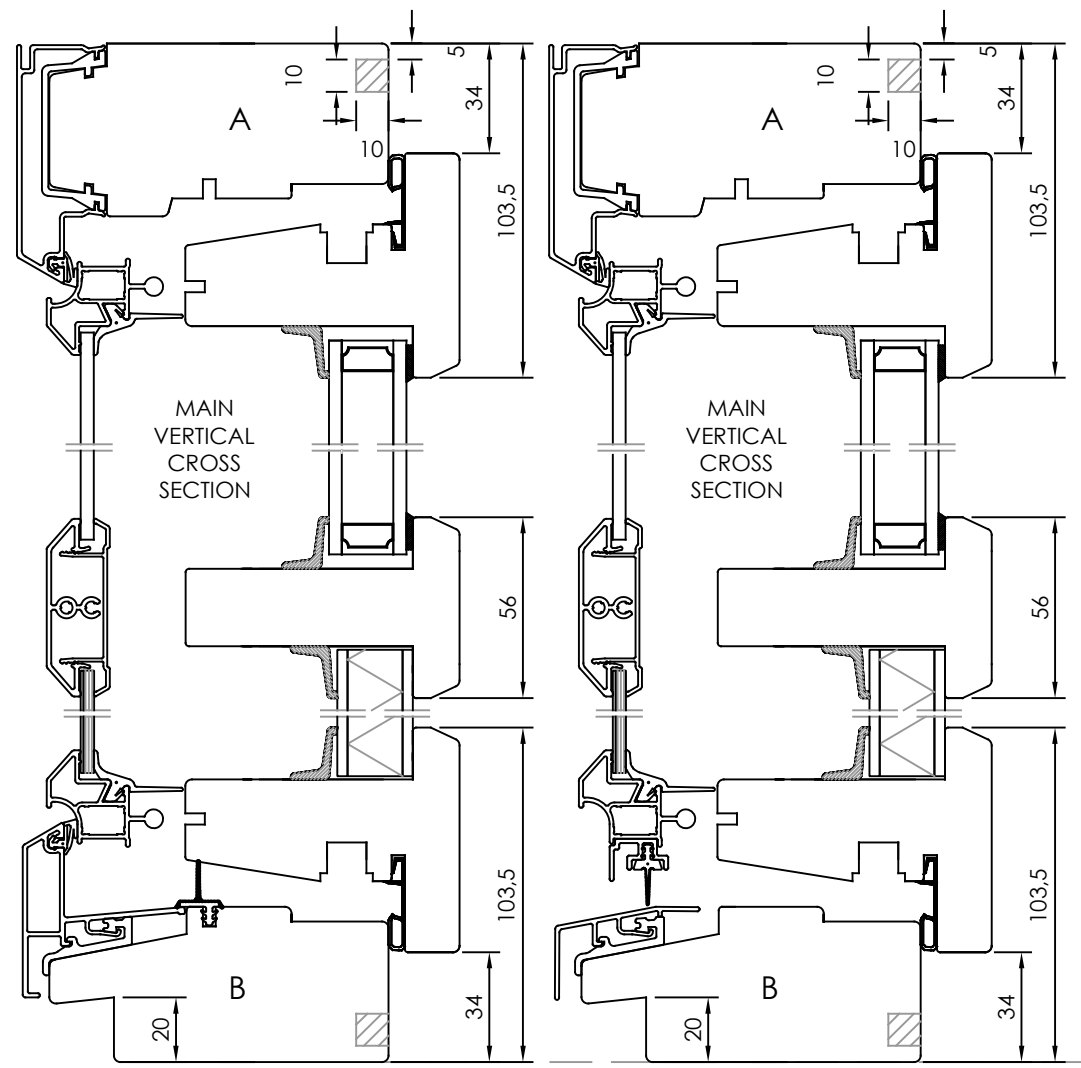
ALL AROUND OPTION
- Internal slot (not for exterior kipp-dreh).

ALL AROUND OPTION
- Internal slot (not for exterior kipp-dreh).

VARIANT, FITTINGS
- Exterior hinges.
- Exterior tilt before turn hinges (kipp-dreh).
- Internal hidden tilt before turn hinges (kipp-dreh).

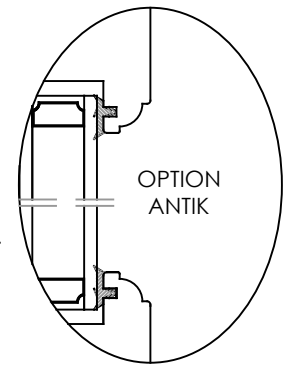


MAIN HORIZONTAL CROSS SECTION



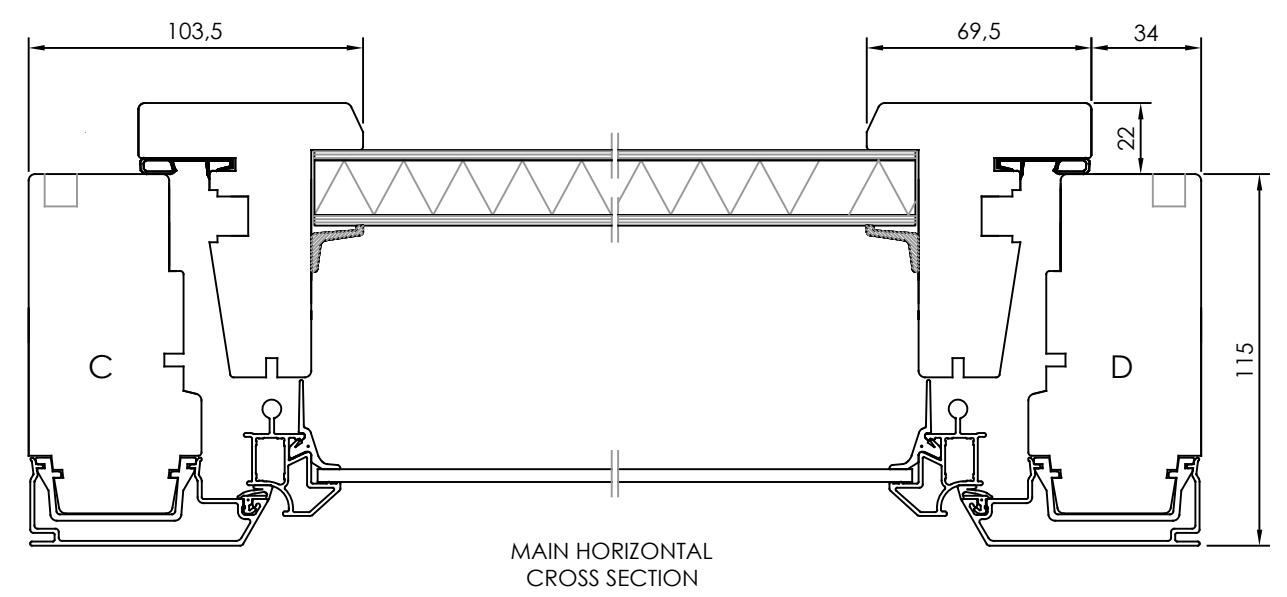
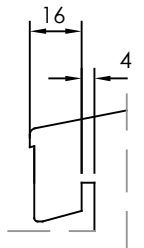
MAIN VERTICAL CROSS SECTION

MAIN VERTICAL CROSS SECTION



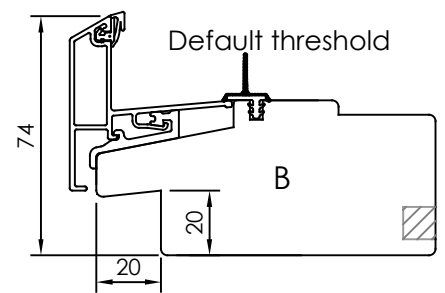
OPTION ANTIK

VERTICAL CS OPTION
- Norwegian nose.

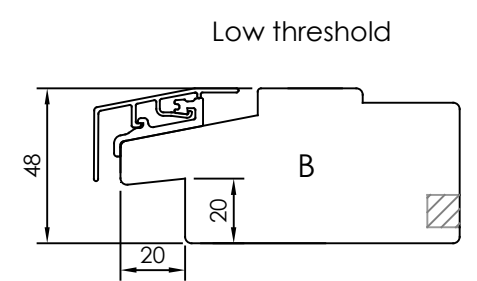


MAIN HORIZONTAL CROSS SECTION

CS = CROSS SECTION



Default threshold



Low threshold

Item	No.	Description	Drawingnumber	Articlenumber
Revision notification			Revised by	Revised date
AM40-20170327TE			TE	2017-07-07
Revision description		Ytterbåge 376315 utbytt till 378892. Ny glas/dammlist ytterbåge.		
Description			Created by	Created date
Patio door, Inward opening, coupled 2+1.			AP	2015-06-12
Material		General tolerance acc. to ISO2768-1		Processing code
Included in product		Included in product family		Article number
Inward		Side Hung + Tilt & Turn + Fixed		



Draw view: Scale: 1:1 Size: A3 Drawing number: 40-37-W39 Revision no.: E