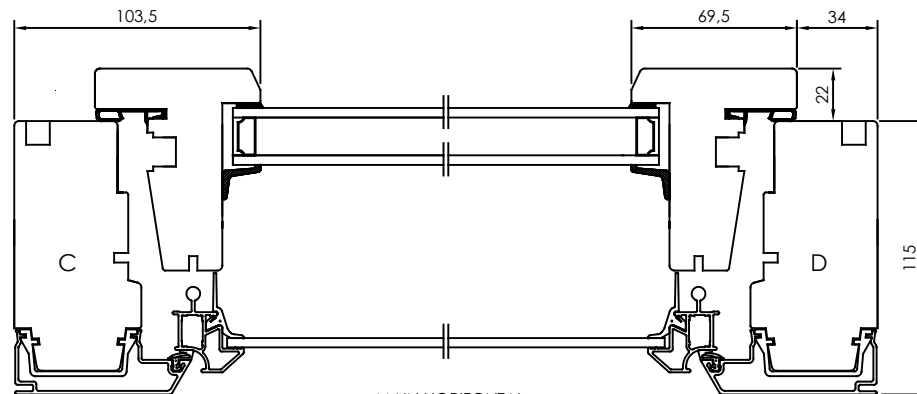


HORIZONTAL CS OPTION
- Two horizontal abutting sashes.

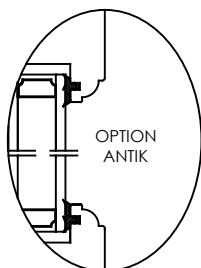
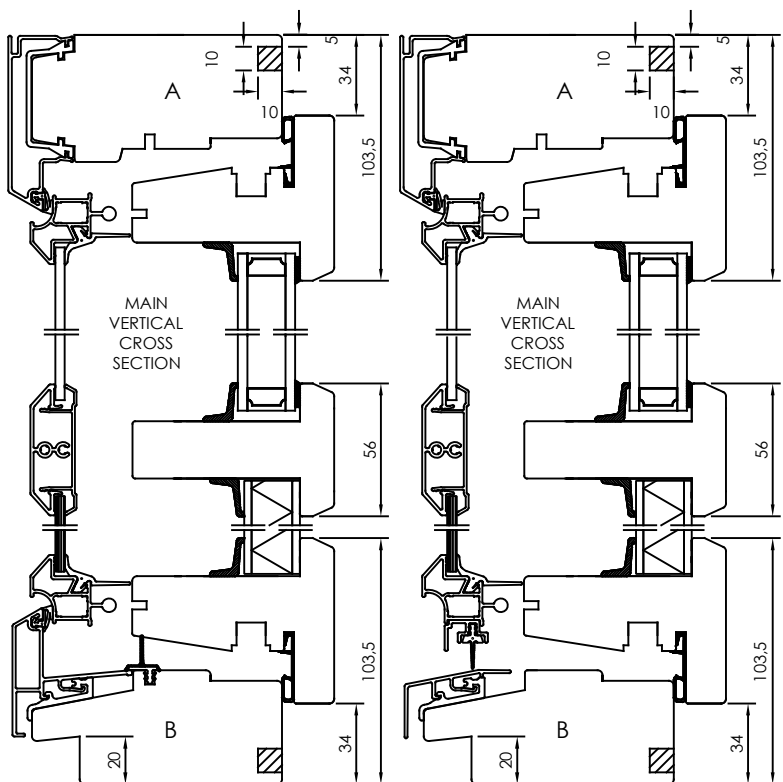
ALL AROUND OPTION
- Internal slot (not for exterior kipp-dreh).

ALL AROUND OPTION
- Internal slot (not for exterior kipp-dreh).

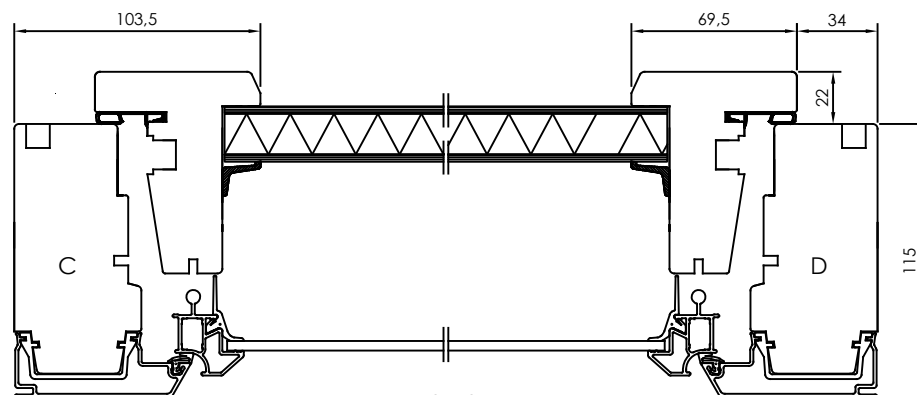
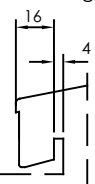
VARIANT, FITTINGS
- Exterior hinges.
- Exterior tilt before turn hinges (kipp-dreh).
- Internal hidden tilt before turn hinges (kipp-dreh).



MAIN HORIZONTAL CROSS SECTION

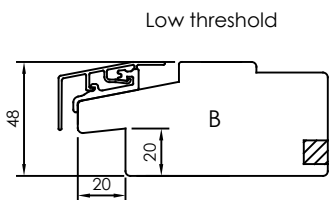
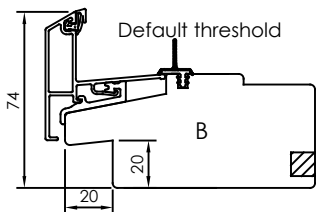


VERTICAL CS OPTION
- Norwegian nose.



MAIN HORIZONTAL CROSS SECTION

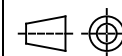
CS = CROSS SECTION



| Item | No. | Description | Drawingnumber | Articlenumber |
|-----------------------|-----|--|---------------|----------------------------|
| Revision notification | | | Revised by | Revised date |
| | | AM40-20170327TE | | |
| Revision description | | Ytterbåge 376315 utbytt till 378892. Ny glas/dammlist ytterbåge. | | |
| Description | | Patio door, Inward opening, coupled 2+1. | | Created by SH |
| | | | | Created date 2019-05-16 |
| Material | | General tolerance acc. to ISO2768-1 | | Processing code |
| | | ISO 2768-1 m | | |
| Included in product | | Included in product family | | Article number |
| Inward | | Side Hung | | |



Draw view



Scale

1:2

Size

A3

Drawing number

40-37-W39 E (A)

Revision no.