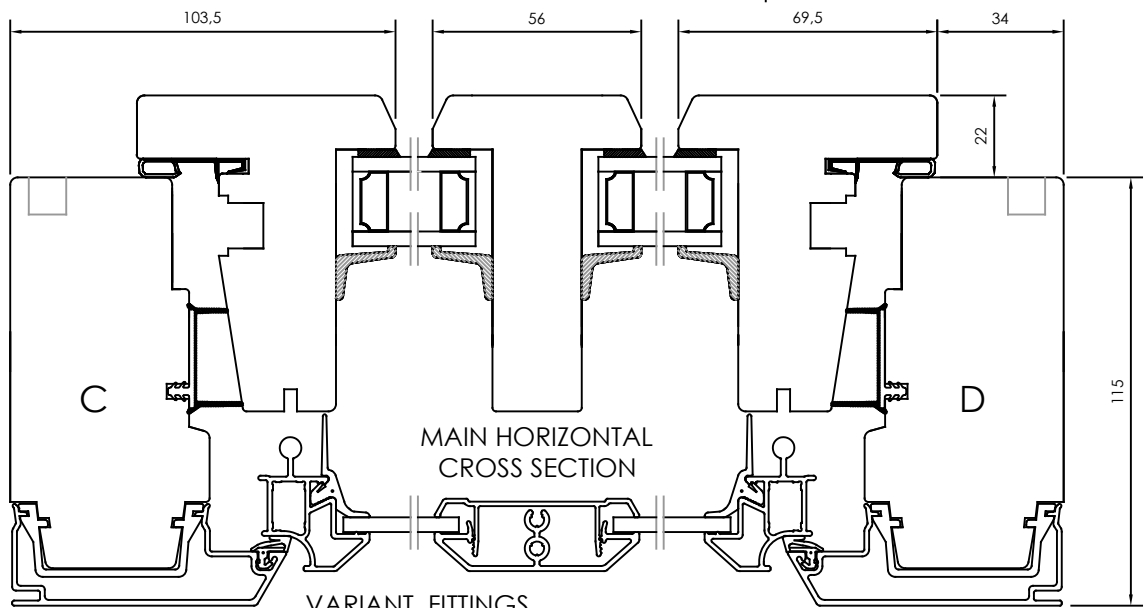


Upphovsrätten till detta dokument och alla bilder omfattas till mottagaren personligen, den får bli alltid Inwido AB:s (556633-3828) egendom. Att kopiera eller på annat sätt reproducera detta dokument till tredje part utan skriftligt tillstånd är strängt förbjudet.



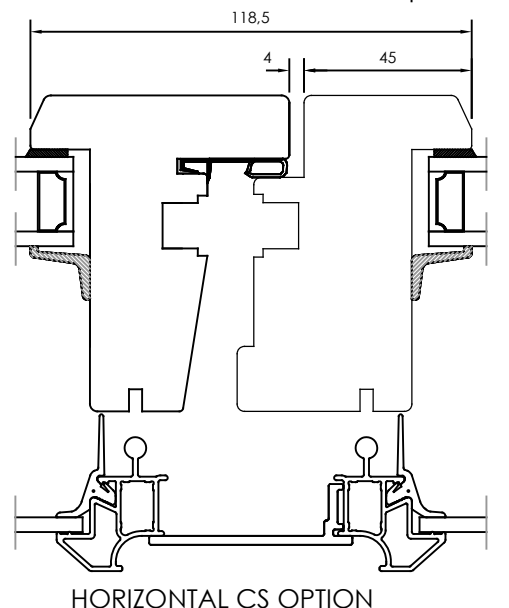
MAIN HORIZONTAL CROSS SECTION

VARIANT, FITTINGS

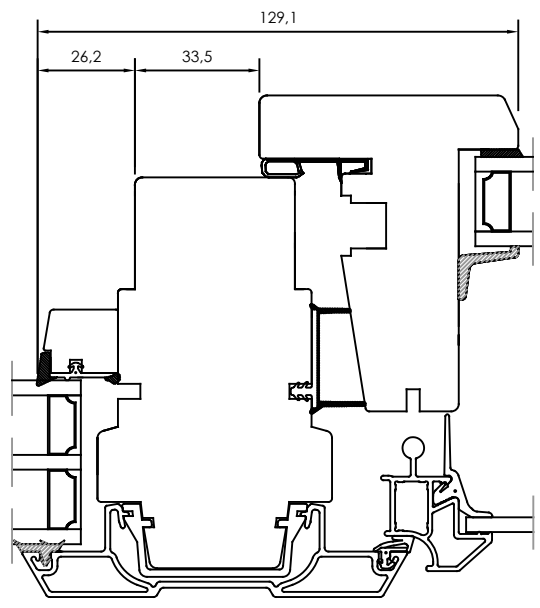
- Exterior hinges.
- Exterior tilt before turn hinges (kipp-dreh).
- Internal hidden tilt before turn hinges (kipp-dreh).

ALL AROUND OPTION

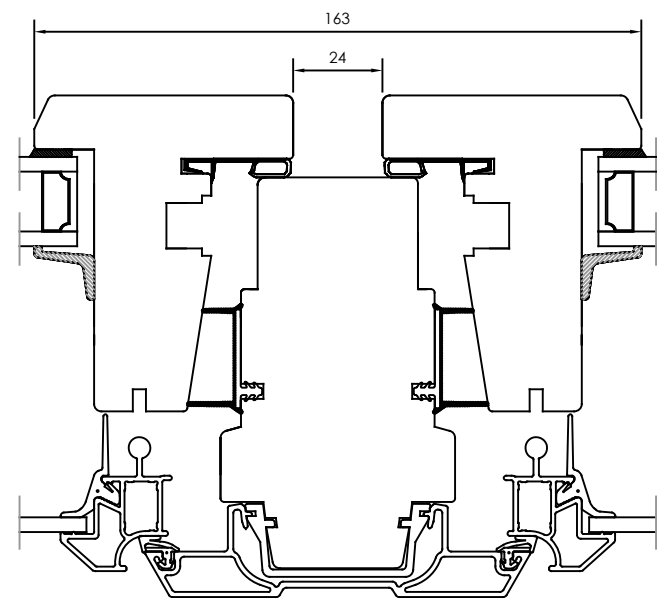
- Internal slot (not for exterior kipp-dreh).



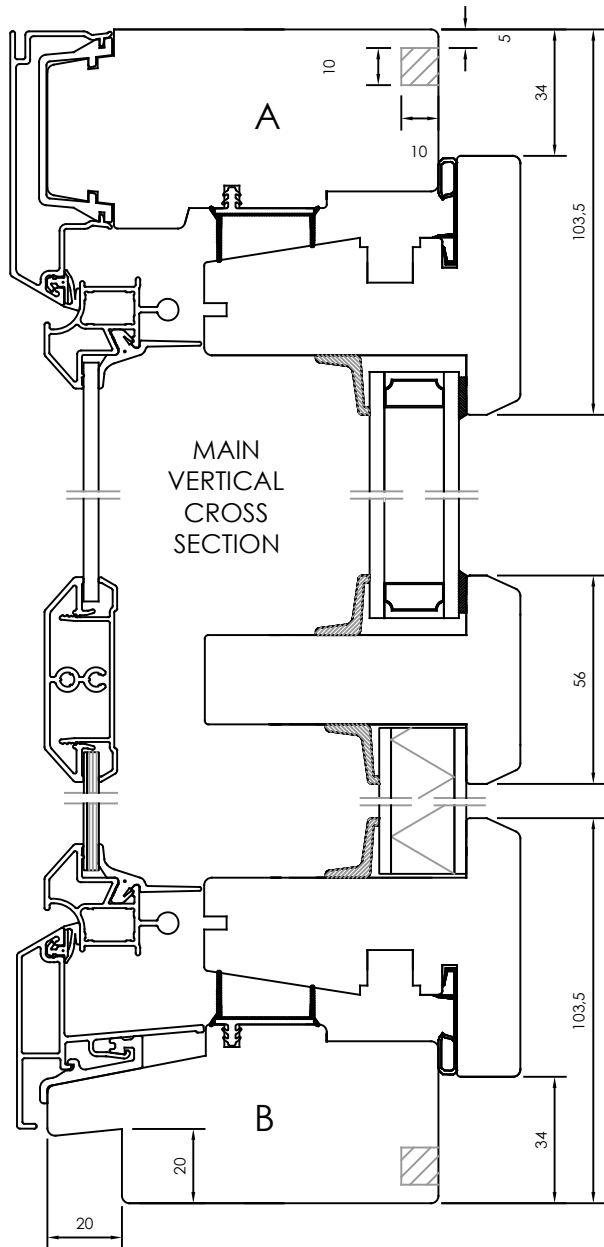
HORIZONTAL CS OPTION  
- Two horizontal abutting sashes.



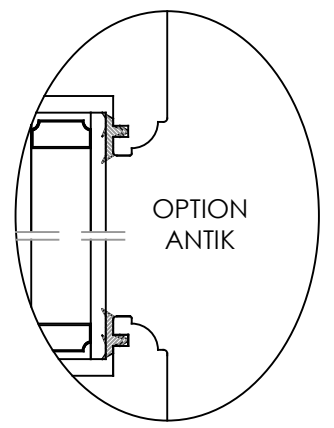
HORIZONTAL CS OPTION  
- One glass in fixed frame, the other in sash with side hung fittings and kipp-dreh function.



HORIZONTAL CS OPTION  
- Two horizontal sashes with middle post.

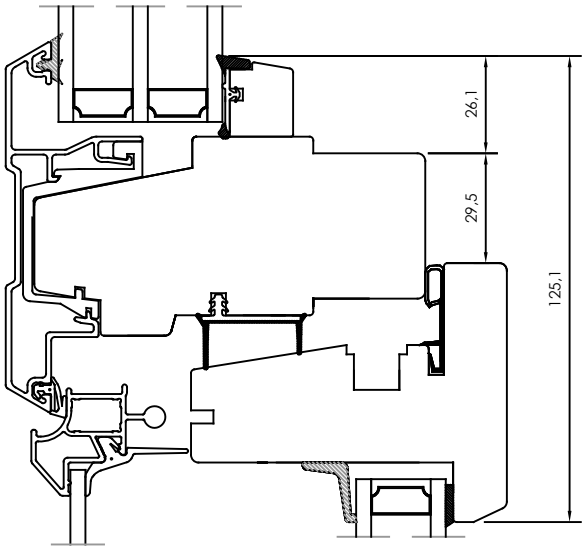
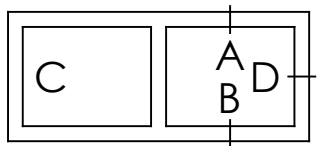
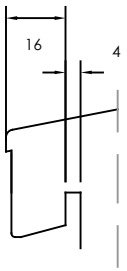


MAIN VERTICAL CROSS SECTION

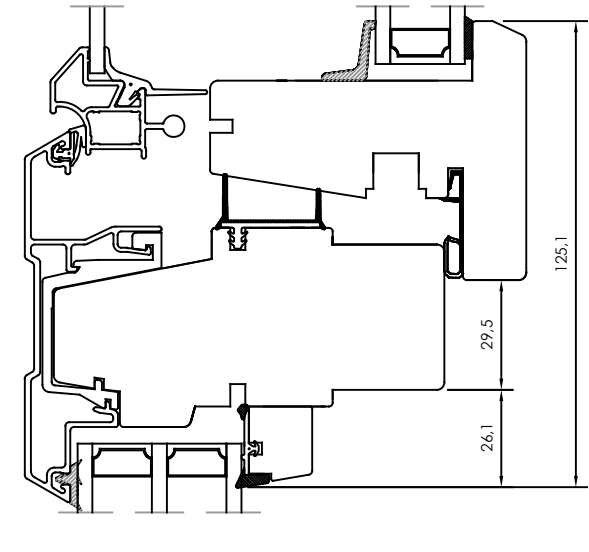


OPTION ANTIK

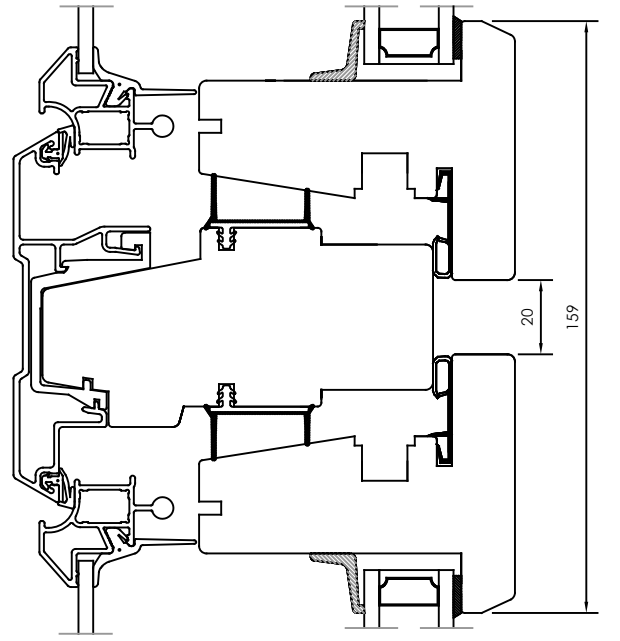
VERTICAL CS OPTION  
- Norwegian nose.



VERTICAL CS OPTION  
- Top glass in frame and bottom glass in sash with side hung fittings and kipp-dreh function.



VERTICAL CS OPTION  
- Top glass in sash with side hung fittings and kipp-dreh function, bottom glass in frame.



VERTICAL CS OPTION  
- Top and bottom glass in sash with side hung fittings and kipp-dreh function, a middle post inbetween.

CS = CROSS SECTION

Item	No.	Description	Drawingnumber	Articlenumber
Revision notification			Revised by	Revised date
AM40-20170327TE			TE	2017-07-07
Revision description		Ytterbåge 376315 utbytt till 378892. Ny glas/dammlist ytterbåge.		
Description		Created by	Created date	
Window, Inward opening coupled 2+1 U-value 0,8		AP	2015-08-26	
Material		General tolerance acc. to ISO2768-1		Processing code
Included in product		Included in product family		Article number
Window inward		Side Hung + Tilt & Turn + Fixed		



Draw view: Scale: 1:1 Size: A3 Drawing number: 40-37-W44 Revision no.: F